

## HCZ 型系列标准化工泵

### 一、概述

HCZ 系列标准化工泵是卧式、单级、单吸离心泵；其尺寸和性能符合 DIN24256/ISO2858 标准。

HCZ 系列标准化工泵的性能范围包括了 IH 系列标准化工泵所有性能，其效率、汽蚀性能等指标均超过 IH 型泵，可与 IH 型泵进行单机互换。

### 二、用途

输送低温或高温液体；中性或有腐蚀性液体；清洁或内含有固体颗粒的液体。特别适用于：化学和石油化学工业、炼油厂、造纸厂和纸浆业、制糖业。

### 三、性能

流量 (Q) (依据转速，参见第 2 页性能图) 可达 2000m<sup>3</sup>/h

扬程 (H) 可达 160m

工作压力 (P) 2.5MPa

工作温度 (t) -80°C~ +300°C

性能曲线平坦，汽蚀值低，效率高，在不满负荷时，也保持这些特性。

### 四、设计特点

作用于轴封处的压力由付叶片或叶轮上的平衡孔平衡。轴封既可采用软填料密封(可冷却，也可不冷却)，也可采用各种结构的单、双端面机械密封(可采用各种结构的单、双端面机械密封(可采用平衡型))。滚珠轴承经久耐用，轴径尺寸充裕，以保证运行平稳。部分规格的泵体设计成双螺壳体，以平衡径向力。轴承架，包括轴、叶轮、填料函等形成一个组合部件，使泵体在维修时不须从管道上拆下(如果采用加长联轴器时，电机也不必拆下)。法兰设计，采用 PN16、PN25 两种(依据材料的差别)。而且，也可运用于 ANSI125 磅/平方英寸或 150 磅/平方英寸。

### 五、输送介质

各种温度和浓度的硫酸、硝酸、盐酸和磷酸等无机酸和有机酸。

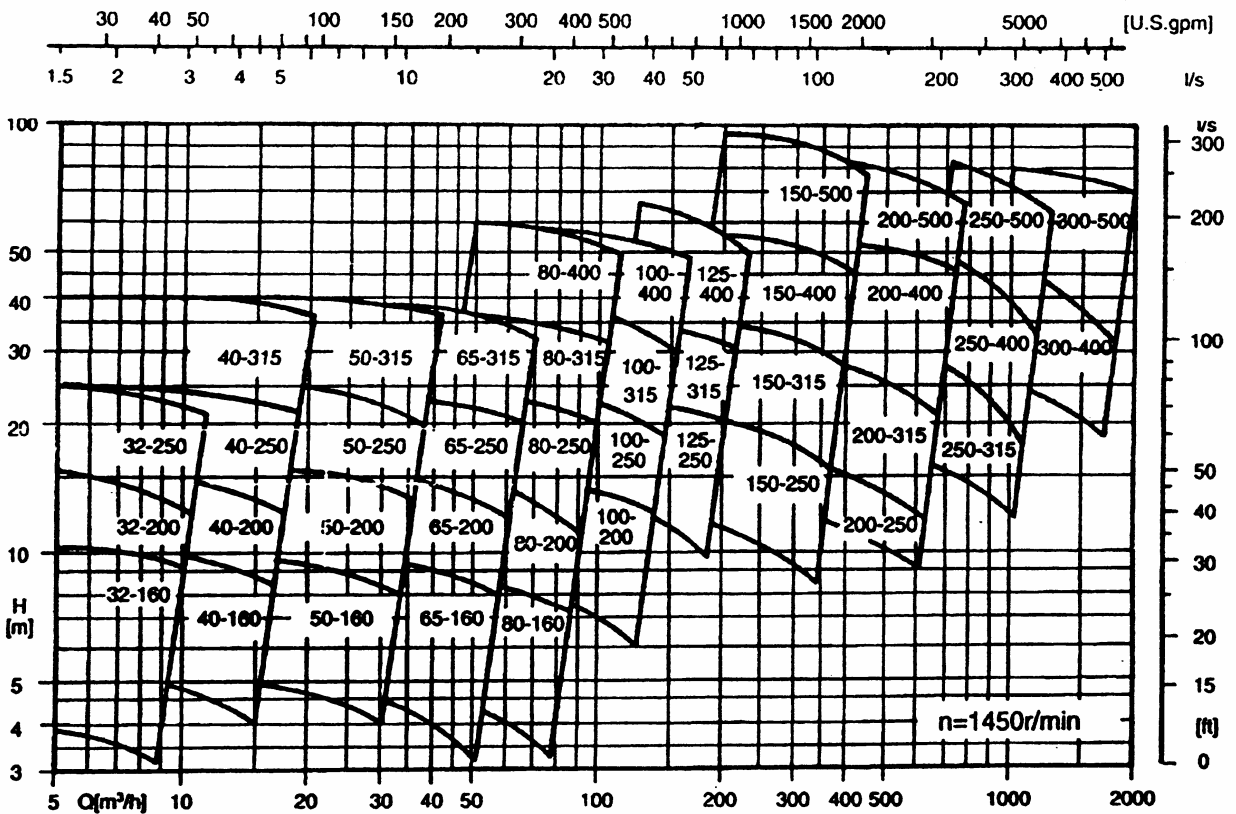
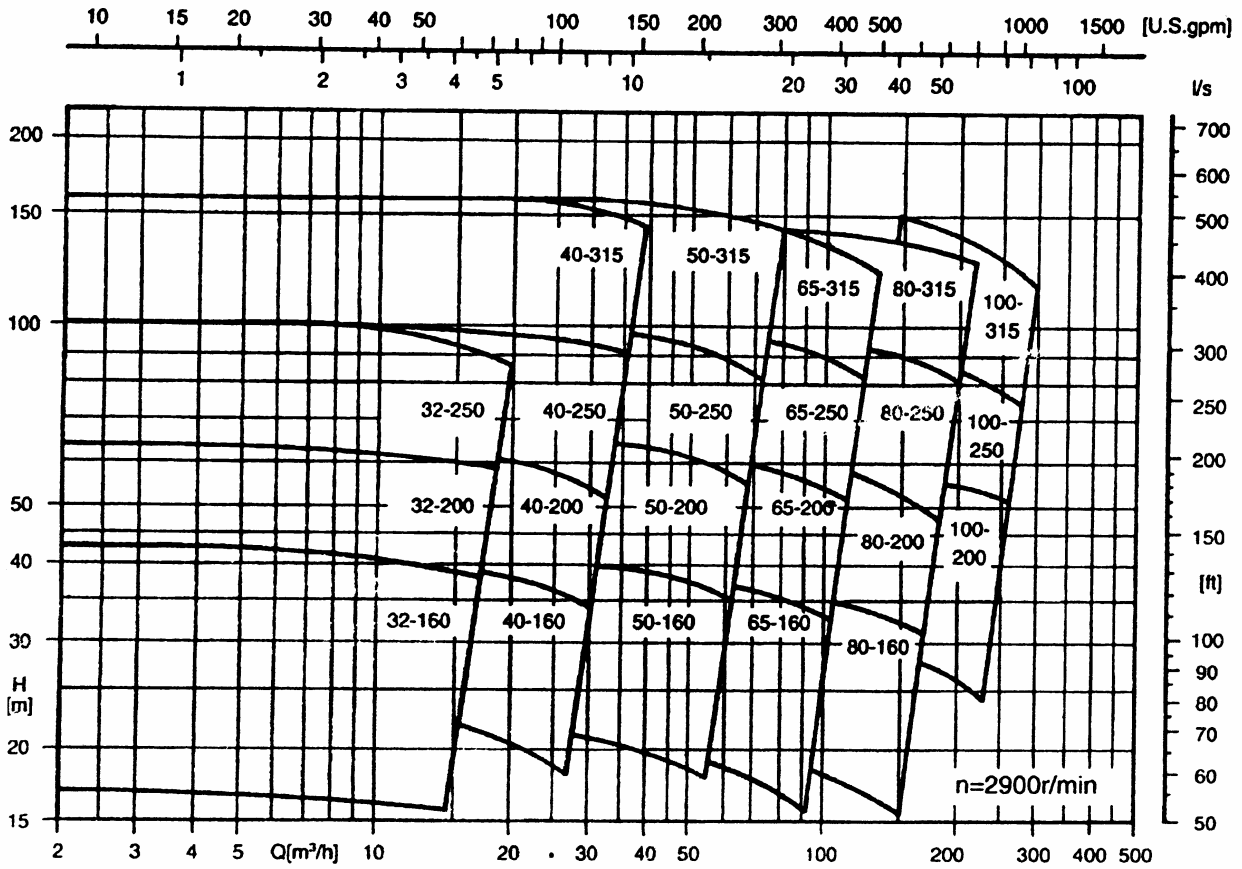
各种温度和浓度下的氢氧化钠和碳酸钠等碱性溶液。

各种盐溶液。

各种液态石油化工产品、有机化合物、以及其他有腐蚀的原料和产品。

目前我厂的耐腐蚀材料，能满足上述各种介质的要求。订货时，请用户提供所要输送介质的详细情况。

六、HCZ 型泵性能范围 (50Hz)



七、性能参数表

| 型号            | 叶轮形式 | 泵额定转速 n=2900 r / min |      |           |          |           |          |           |          | 泵额定转速 n=1450 r / min |          |           |          |           |          |           |          |     |          |     |          |     |          |
|---------------|------|----------------------|------|-----------|----------|-----------|----------|-----------|----------|----------------------|----------|-----------|----------|-----------|----------|-----------|----------|-----|----------|-----|----------|-----|----------|
|               |      | 流量 Q                 | 扬程 H | 比重 y=1.00 |          | 比重 y=1.35 |          | 比重 y=1.84 |          | 流量 Q                 | 扬程 H     | 比重 y=1.00 |          | 比重 y=1.35 |          | 比重 y=1.84 |          |     |          |     |          |     |          |
|               |      |                      |      | KW        |          | KW        |          | KW        |          |                      |          | KW        |          | KW        |          | KW        |          |     |          |     |          |     |          |
| HCZ32-1<br>60 | A    | 20                   | 36   | 4         | Y112M-2  | 5.5       | Y132-2   | 7.5       | Y132S1-2 | 11                   | 9        | 1.1       | Y90S-4   | 1.1       | Y90S-4   | 1.5       | Y90L-4   |     |          |     |          |     |          |
|               | B    | 18                   | 32   |           | Y112M-2  | 5.5       | Y1321-2  | 7.5       | Y132S2-2 | 10                   | 8        |           |          |           |          | 1.1       | Y90S-4   | 1.1 | Y90S-4   |     |          |     |          |
|               | C    | 17                   | 28   | 3         | Y100L-2  | 4         | Y112M-2  | 5.5       | Y132S1-2 | 9                    | 7        |           |          |           |          |           |          |     |          |     |          |     |          |
|               | D    | 15                   | 20   | 2.2       | Y90L-2   | 3         | Y100L-2  | 4         | Y112M-2  | 6                    | 5        |           |          |           |          |           |          |     |          |     |          |     |          |
|               | E    | 13                   | 14   |           |          |           |          |           |          | 6                    | 3        |           |          |           |          |           |          |     |          |     |          |     |          |
| HCZ32-2<br>00 | A    | 20                   | 50   | 7.5       | Y132S2-2 | 11        | Y160M1-2 | 15        | Y160M2-2 | 10                   | 13       | 1.5       | Y90L-4   | 1.5       | Y90L-4   | 2.2       | Y100L-4  |     |          |     |          |     |          |
|               | B    | 18                   | 48   |           |          |           |          | 11        | Y160M1-2 | 9                    | 12       |           |          |           |          | 1.5       | Y90L-4   | 1.5 | Y90L-4   |     |          |     |          |
|               | C    | 16                   | 40   | 5.5       | Y132S1-2 | 7.5       | Y132S2-2 | 8         | 10       |                      |          |           |          |           |          |           |          |     |          |     |          |     |          |
|               | D    | 15                   | 30   | 4         | Y112M-2  | 5.5       | Y132S1-2 | 7.5       | Y132S2-2 | 8                    | 8        |           |          |           |          |           |          |     |          |     |          |     |          |
| HCZ32-2<br>50 | A    | 20                   | 85   | 15        | Y160M2-2 | 18.5      | Y160L-2  | 30        | Y200L1-2 | 11                   | 20       | 2.2       | Y100L1-4 | 3         | Y100L2-4 | 4         | Y112M-4  |     |          |     |          |     |          |
|               | B    | 20                   | 75   |           |          |           |          |           |          | 10                   | 19       |           |          |           |          |           |          |     |          |     |          |     |          |
|               | C    | 18                   | 65   | 11        | Y160M1-2 | 15        | Y160M2-2 | 18.5      | Y160L-2  | 9                    | 15       |           |          |           |          |           |          | 2.2 | Y100L1-4 | 3   | Y100L2-4 |     |          |
|               | D    | 15                   | 50   | 7.5       | Y132S2-2 | 11        | Y160M1-2 | 15        | Y160M2-2 | 8                    | 11       |           |          |           |          |           |          |     |          |     |          | 2.2 | Y100L1-4 |
| HCZ40-1<br>60 | A    | 30                   | 34   | 7.5       | Y132S2-2 | 11        | Y160S1-2 | 15        | Y160M2-2 | 15                   | 8        | 1.1       | Y90S-4   | 1.1       | Y90S-4   | 1.5       | Y90L-4   |     |          |     |          |     |          |
|               | B    | 28                   | 30   | 5.5       | Y132S2-2 | 7.5       | Y132S2-2 | 11        | Y160M1-2 | 15                   | 7        |           |          |           |          | 1.1       | Y90S-4   | 1.1 | Y90S-4   |     |          |     |          |
|               | C    | 16                   | 26   |           |          | 5.5       | Y132S1-2 | 7.5       | Y132S2-2 | 14                   | 6        |           |          |           |          |           |          |     |          |     |          |     |          |
|               | D    | 14                   | 18   | 3         | Y100L-2  |           |          | 5.5       | Y132S1-2 | 12                   | 4        |           |          |           |          |           |          |     |          |     |          |     |          |
| HCZ40-2<br>00 | A    | 34                   | 50   | 11        | Y160M1-2 | 15        | Y160M2-2 |           |          | 16                   | 13       | 1.5       | Y90L-4   | 1.5       | Y90L-4   | 2.2       | Y100L1-4 |     |          |     |          |     |          |
|               | B    | 30                   | 48   | 7.5       | Y130S2-2 | 11        | Y160M1-2 | 15        | Y160M2-2 | 15                   | 12       |           |          |           |          | 1.1       | Y90S-4   | 1.1 | Y90S-4   | 1.5 | Y90L-4   |     |          |
|               | C    | 26                   | 38   | 5.5       | Y130S1-2 | 7.5       | Y130S2-2 | 11        | Y160M1-2 | 14                   | 9        | 1.1       | Y90S-4   | 1.1       | Y90S-4   |           |          |     |          | 4   | Y112M-4  |     |          |
|               | D    | 22                   | 30   |           |          |           |          |           |          | 12                   | 7        |           |          |           |          | 1.1       | Y90S-4   | 1.1 | Y90S-4   |     |          |     |          |
| HCZ40-2<br>50 | A    | 36                   | 85   | 22        | Y180M-2  | 30        | Y200L1-2 | 45        | Y225M-2  | 20                   | 21       | 1.5       | Y112M-4  | 5.5       | Y132S-4  | 5.5       | Y132S-4  |     |          |     |          |     |          |
|               | B    | 34                   | 80   | 18.5      | Y160L-2  | 22        | Y180M-2  | 37        | Y200L2-2 | 18                   | 20       |           |          |           |          | 1.5       | Y100L2-4 | 4   | Y112M-4  |     |          |     |          |
|               | C    | 30                   | 65   | 15        | Y160M2-2 | 18.5      | Y160L-2  | 30        | Y200L1-2 | 16                   | 15       |           |          |           |          |           |          |     |          | 2   | Y100L1-4 | 3   | Y100L2-4 |
|               | D    | 26                   | 50   | 11        | Y160M1-2 | 15        | Y160M2-2 | 18.5      | Y160L-2  | 13                   | 12       |           |          |           |          | 2.2       | Y100L1-4 | 2.2 | Y100L1-4 |     |          |     |          |
| HCZ40-3<br>15 | A    | 46                   | 140  | 15        | Y225M-2  | 55        | Y250M-2  |           |          | 22                   | 36       | 1.5       | Y160M-4  | 11        | Y160M-4  | 11        | Y160M-4  |     |          |     |          |     |          |
|               | B    | 44                   | 130  | 37        | Y200L2-2 | 45        | Y225M-2  |           |          | 22                   | 32       |           |          |           |          |           |          | 5.5 | Y132S-4  | 5.5 | Y132S-4  |     |          |
|               | C    | 40                   | 100  | 30        | Y200L1-2 | 37        | Y200L2-2 | 37        | Y200L2-2 | 20                   | 24       |           |          |           |          |           |          |     |          |     |          | 4   | Y112M-4  |
|               | D    | 34                   | 80   |           |          | 30        | Y200L1-2 | 37        | Y200L2-2 | 37                   | Y200L2-2 |           |          |           |          |           |          | 18  | 18       | 4   | Y112M-4  |     |          |
| HCZ50-1<br>60 | A    | 55                   | 34   | 11        | Y160M1-2 | 11        | Y160M1-2 | 15        | Y160M2-2 | 30                   | 8        | 1.5       | Y90L-4   | 2.2       | Y100L1-4 | 3         | Y100L2-4 |     |          |     |          |     |          |
|               | B    | 50                   | 30   | 7.5       | Y132S2-2 |           |          |           |          | 26                   | 7        |           |          |           |          |           |          | 1.1 | Y90S-4   | 1.5 | Y90L-4   | 2.2 | Y100L1-4 |
|               | C    | 46                   | 26   | 5.5       | Y132S1-2 | 5.5       | Y132S2-2 | 11        | Y160M1-2 | 24                   | 6        |           |          |           |          |           |          |     |          |     |          |     |          |
|               | D    | 40                   | 18   |           |          | 7.5       | Y132S1-2 | 7.5       | Y132S2-2 | 7.5                  | Y132S2-2 |           |          |           |          |           |          | 20  | 4        | 1.1 | Y90S-4   | 1.1 | Y90S-4   |

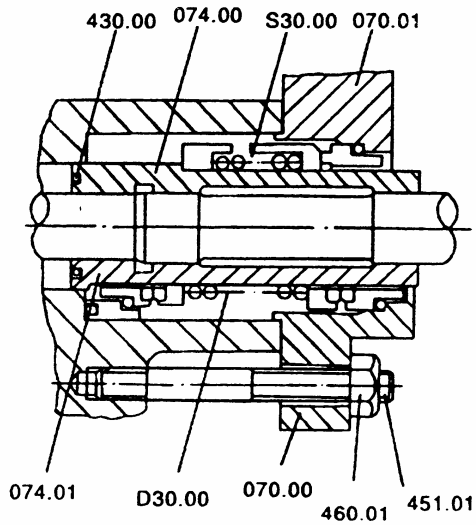
| 型号        | 叶<br>轮<br>形<br>式 | 泵额定转速 n=2900 r / min |             |           |                       |           |                       |           |                       | 泵额定转速 n=1450 r / min |                       |           |                       |           |                       |           |                       |    |         |    |          |
|-----------|------------------|----------------------|-------------|-----------|-----------------------|-----------|-----------------------|-----------|-----------------------|----------------------|-----------------------|-----------|-----------------------|-----------|-----------------------|-----------|-----------------------|----|---------|----|----------|
|           |                  | 流<br>量<br>Q          | 扬<br>程<br>H | 比重 y=1.00 |                       | 比重 y=1.35 |                       | 比重 y=1.84 |                       | 流<br>量<br>Q          | 扬<br>程<br>H           | 比重 y=1.00 |                       | 比重 y=1.35 |                       | 比重 y=1.84 |                       |    |         |    |          |
|           |                  |                      |             | 电动机功率及型号  |                       |           |                       |           |                       |                      |                       | 电动机功率及型号  |                       |           |                       |           |                       |    |         |    |          |
|           |                  |                      |             | KW        |                       | KW        |                       | KW        |                       |                      |                       | KW        |                       | KW        |                       | KW        |                       | KW |         | KW |          |
| HCZ50-200 | A                | 65                   | 56          | 18.5      | Y160L-2               |           |                       |           |                       | 34                   | 14                    | 3         | Y100L <sub>2</sub> -4 | 4         | Y112M-4               | 5.5       | Y132S-4               |    |         |    |          |
|           | B                | 65                   | 50          | 15        | Y160M <sub>2</sub> -2 | 18.5      | Y160L-2               |           |                       | 32                   | 12                    | 2.2       | Y100L <sub>1</sub> -4 | 3         | Y100L <sub>2</sub> -4 | 4         | Y112M-4               |    |         |    |          |
|           | C                | 50                   | 40          | 11        | Y160M <sub>1</sub> -2 | 15        | Y160M <sub>2</sub> -2 | 18.5      | Y160L-2               | 30                   | 10                    | 1.5       | Y90L-4                | 2.2       | Y100L <sub>1</sub> -4 | 3         | Y100L <sub>2</sub> -4 |    |         |    |          |
|           | D                | 40                   | 32          | 7.5       | Y132S <sub>2</sub> -2 | 11        | Y160M <sub>1</sub> -2 | 15        | Y160M <sub>2</sub> -2 | 24                   | 7                     |           |                       | 1.5       | Y90L-4                | 2.2       | Y100L <sub>1</sub> -4 |    |         |    |          |
| HCZ50-250 | A                | 65                   | 85          | 30        | Y200L <sub>1</sub> -2 | 37        | Y200L <sub>2</sub> -2 | 45        | Y225M-2               | 34                   | 21                    | 5.5       | Y132S-4               | 5.5       | Y132S-4               | 11        | Y160M-4               |    |         |    |          |
|           | B                | 60                   | 80          |           |                       |           |                       | 45        | Y225M-2               | 30                   | 20                    | 4         | Y112M-4               |           |                       |           |                       |    |         |    |          |
|           | C                | 55                   | 65          | 22        | Y180M-2               | 30        | Y200L <sub>1</sub> -2 | 37        | Y200L <sub>2</sub> -2 | 26                   | 16                    | 3         | Y100L <sub>2</sub> -4 | 4         | Y112M-4               | 5.5       | Y132S-4               |    |         |    |          |
|           | D                | 45                   | 60          | 15        | Y160M <sub>2</sub> -2 | 15        | Y160M <sub>2</sub> -2 | 22        | Y180M-2               | 34                   | 12                    | 2.2       | Y100L <sub>1</sub> -4 | 3         | Y100L <sub>2</sub> -4 | 4         | Y112M-4               |    |         |    |          |
| HCZ50-315 | A                | 80                   | 140         | 55        | Y250M-2               |           |                       |           |                       | 42                   | 36                    | 11        | Y160M-4               | 11        | Y160M-4               | 15        | Y160L-4               |    |         |    |          |
|           | B                | 75                   | 135         |           |                       |           |                       |           |                       | 42                   | 32                    |           |                       |           |                       |           |                       |    |         |    |          |
|           | C                | 70                   | 110         |           |                       |           |                       |           |                       | 45                   | Y225M-2               |           |                       |           |                       |           |                       | 40 | 26      | 11 | Y1600M-4 |
|           | D                | 65                   | 85          |           |                       |           |                       |           |                       | 37                   | Y220L <sub>2</sub> -2 |           |                       |           |                       |           |                       | 45 | Y225M-2 |    |          |
| HCZ65-160 | A                | 100                  | 32          | 15        | Y160M <sub>2</sub> -2 | 18.5      | Y160L-2               |           |                       | 50                   | 8                     | 2.2       | Y100L <sub>1</sub> -4 | 3         | Y100L <sub>2</sub> -4 | 4         | Y112M-4               |    |         |    |          |
|           | B                | 90                   | 32          |           |                       |           |                       | 22        | Y180M-2               | 48                   | 7                     |           |                       |           |                       |           |                       |    |         |    |          |
|           | C                | 90                   | 24          | 11        | Y160M <sub>1</sub> -2 | 15        | Y160M <sub>2</sub> -2 | 18.5      | Y160L-2               | 46                   | 6                     |           |                       | 2.2       | Y100L <sub>1</sub> -4 | 3         | Y100L <sub>2</sub> -4 |    |         |    |          |
|           | D                | 80                   | 14          | 5.5       | Y132S <sub>1</sub> -2 | 7.5       | Y132S <sub>2</sub> -2 | 11        | Y160M <sub>1</sub> -2 | 38                   | 4                     |           |                       |           |                       |           |                       |    |         |    |          |
| HCZ65-200 | A                | 100                  | 54          | 22        | Y180M-2               | 30        | Y200L <sub>1</sub> -2 | 37        | Y200L <sub>2</sub> -2 | 50                   | 13                    | 4         | Y112M-4               | 4         | Y112M-4               | 5.5       | Y132S-4               |    |         |    |          |
|           | B                | 90                   | 50          |           |                       |           |                       |           |                       | 46                   | 12                    | 3         | Y100L <sub>2</sub> -4 |           |                       |           |                       |    |         |    |          |
|           | C                | 90                   | 40          | 18.5      | Y160L-2               | 22        | Y180M-2               | 30        | Y200L <sub>1</sub> -2 | 42                   | 10                    | 3         | Y100L <sub>2</sub> -4 | 4         | Y112M-4               |           |                       |    |         |    |          |
|           | D                | 70                   | 30          | 11        | Y160M <sub>1</sub> -2 | 15        | Y160M <sub>2</sub> -2 | 18.5      | Y160L-2               | 36                   | 7                     | 2.2       | Y100L <sub>1</sub> -4 | 2.2       | Y100L <sub>1</sub> -4 | 4         | Y112M-4               |    |         |    |          |
| HCZ65-250 | A                | 115                  | 85          | 45        | Y225M-2               | 55        | Y250M-2               |           |                       | 54                   | 21                    | 11        | Y160M-4               | 11        | Y160M-4               | 11        | Y160M-4               |    |         |    |          |
|           | B                | 115                  | 75          |           |                       |           |                       |           |                       | 50                   | 20                    | 5.5       | Y132S-4               |           |                       |           |                       |    |         |    |          |
|           | C                | 100                  | 65          | 37        | Y200L <sub>2</sub> -2 | 45        | Y225M-2               | 55        | Y250M-2               | 46                   | 16                    | 4         | Y112M-4               | 5.5       | Y132S-4               |           |                       |    |         |    |          |
|           | D                | 80                   | 50          | 30        | Y200L <sub>1</sub> -2 | 30        | Y200L <sub>1</sub> -2 | 37        | Y200L <sub>2</sub> -2 | 40                   | 10                    | 4         | Y112M-4               | 5.5       | Y132S-4               |           |                       |    |         |    |          |
| HCZ65-315 | A                | 135                  | 135         | 90        | Y280M-2               | 110       | Y315S-2               | 160       | Y315M <sub>2</sub> -2 | 64                   | 32                    | 11        | Y160M-4               | 15        | Y160L-4               | 18.5      | Y180M-4               |    |         |    |          |
|           | B                | 130                  | 125         |           |                       |           |                       |           |                       | 61                   | 30                    |           |                       |           |                       |           |                       |    |         |    |          |
|           | C                | 115                  | 115         | 75        | Y280S-2               | 90        | Y280M-2               | 132       | Y315M <sub>1</sub> -2 | 56                   | 28                    |           |                       | 11        | Y160M-4               | 15        | Y160L-4               |    |         |    |          |
|           | D                | 110                  | 110         | 55        | Y250M-2               | 75        | Y280S-2               | 110       | Y315S-2               | 54                   | 24                    |           |                       |           |                       |           |                       |    |         |    |          |
|           | E                | 90                   | 85          | 45        | Y225M-2               | 55        | Y250M-2               | 75        | Y280S-2               | 50                   | 20                    |           |                       | 5.5       | Y132S-4               |           |                       |    |         |    |          |
|           | F                | 75                   | 70          | 30        | Y200L <sub>1</sub> -2 | 45        | Y225M-2               | 55        | Y250M-2               | 52                   | 16                    |           |                       | 5.5       | Y132S-4               |           |                       |    |         |    |          |
| HCZ80-160 | A                | 170                  | 30          | 22        | Y180M-2               | 30        | Y200L <sub>1</sub> -2 | 37        | Y200L <sub>2</sub> -2 | 75                   | 8                     | 3         | Y100L <sub>2</sub> -4 | 4         | Y112M-4               | 5.5       | Y132S-4               |    |         |    |          |
|           | B                | 160                  | 26          | 18.5      | Y160L-2               | 22        | Y180M-2               | 30        | Y200L <sub>1</sub> -2 | 70                   | 7                     | 2.2       | Y100L <sub>1</sub> -4 | 3         | Y100L <sub>2</sub> -4 | 4         | Y112M-4               |    |         |    |          |
|           | C                | 150                  | 22          | 15        | Y160M <sub>2</sub> -2 | 18.5      | Y160L-2               |           |                       | 70                   | 5                     |           |                       |           |                       |           |                       |    |         |    |          |
|           | D                | 130                  | 16          | 11        | Y160M <sub>1</sub> -2 | 15        | Y160M <sub>2</sub> -2 | 18.5      | Y160L-2               | 65                   | 4                     | 2.2       | Y100L <sub>1</sub> -4 | 2.2       | Y100L <sub>1</sub> -4 |           |                       |    |         |    |          |

| 型号         | 叶轮形式 | 泵额定转速 n=2900 r / min |      |           |                       |           |                       |           |                       | 泵额定转速 n=1450 r / min |      |           |                       |                       |         |           |         |    |  |  |  |
|------------|------|----------------------|------|-----------|-----------------------|-----------|-----------------------|-----------|-----------------------|----------------------|------|-----------|-----------------------|-----------------------|---------|-----------|---------|----|--|--|--|
|            |      | 流量 Q                 | 扬程 H | 比重 y=1.00 |                       | 比重 y=1.35 |                       | 比重 y=1.84 |                       | 流量 Q                 | 扬程 H | 比重 y=1.00 |                       | 比重 y=1.35             |         | 比重 y=1.84 |         |    |  |  |  |
|            |      |                      |      | 电动机功率及型号  |                       |           |                       |           |                       |                      |      | 电动机功率及型号  |                       |                       |         |           |         |    |  |  |  |
|            |      |                      |      | KW        |                       | KW        |                       | KW        |                       |                      |      | KW        |                       | KW                    |         | KW        |         | KW |  |  |  |
| HCZ80-200  | A    | 150                  | 50   | 37        | Y200L <sub>2</sub> -2 | 45        | Y225M-2               | 55        | Y250M-2               | 80                   | 12   | 5.5       | Y132S-4               | 11                    | Y160M-4 | 11        | Y160M-4 |    |  |  |  |
|            | B    | 140                  | 46   | 30        | Y200L <sub>1</sub> -2 | 37        | Y200L <sub>2</sub> -2 |           |                       | 75                   | 11   | 4         | Y112M-4               | 5.5                   | Y132S-4 |           |         |    |  |  |  |
|            | C    | 130                  | 38   | 22        | Y180M-2               | 30        | Y200L <sub>1</sub> -2 |           |                       | 65                   | 9    | 3         | Y100L <sub>2</sub> -4 | 4                     | Y112M-4 | 5.5       | Y132S-4 |    |  |  |  |
|            | D    | 110                  | 26   | 15        | Y160M <sub>2</sub> -2 | 18.5      | Y160L-2               | 30        | Y200L <sub>1</sub> -2 | 60                   | 6    |           | 3                     | Y200L <sub>2</sub> -4 | 4       | Y112M-4   |         |    |  |  |  |
| HCZ80-250  | A    | 190                  | 80   |           |                       |           |                       |           |                       | 90                   | 20   |           |                       |                       |         |           |         |    |  |  |  |
|            | B    | 180                  | 75   | 55        | Y250M-2               |           |                       |           |                       | 90                   | 19   | 11        | Y160M-4               | 11                    | Y160M-4 | 15        | Y160L-4 |    |  |  |  |
|            | C    | 170                  | 70   | 45        | Y225M-2               |           |                       |           |                       | 85                   | 17   |           |                       |                       |         |           |         |    |  |  |  |
|            | D    | 150                  | 55   | 37        | Y200L <sub>2</sub> -2 | 55        | Y250M-2               | 75        | Y280S-2               | 75                   | 14   | 5.5       | Y132S-4               | 5.5                   | Y132S-4 | 11        | Y200M-4 |    |  |  |  |
|            | E    | 130                  | 47   | 30        | Y200L <sub>1</sub> -2 | 37        | Y200L <sub>2</sub> -2 | 55        | Y250M-2               | 70                   | 11   |           |                       |                       |         |           |         |    |  |  |  |
| HCZ80-315  | A    | 200                  | 130  | 110       | Y315S-2               | 160       | Y315M <sub>2</sub> -2 |           |                       | 100                  | 32   |           |                       | 18.5                  | Y180M-4 | 30        | Y180L-4 |    |  |  |  |
|            | B    | 180                  | 125  |           |                       | 132       | Y315M <sub>1</sub> -2 |           |                       | 95                   | 30   | 15        | Y160L-4               |                       |         |           |         |    |  |  |  |
|            | C    | 160                  | 100  | 75        | Y28S-2                | 90        | Y280M-2               | 132       | Y315M <sub>1</sub> -2 | 85                   | 24   |           |                       | 15                    | Y160L-4 | 18.5      | Y160M-4 |    |  |  |  |
|            | D    | 150                  | 75   | 55        | Y250M-2               | 75        | Y280S-2               | 90        | Y280M-2               | 70                   | 18   |           |                       |                       |         | 15        | Y160L-4 |    |  |  |  |
| HCZ80-400  | A    |                      |      |           |                       |           |                       |           |                       | 105                  | 52   |           |                       | 37                    | Y225S-4 |           |         |    |  |  |  |
|            | B    |                      |      |           |                       |           |                       |           |                       | 100                  | 50   | 30        | Y200L-4               |                       |         |           |         |    |  |  |  |
|            | C    |                      |      |           |                       |           |                       |           |                       | 90                   | 44   |           |                       | 30                    | Y200L-4 |           |         |    |  |  |  |
|            | D    |                      |      |           |                       |           |                       |           |                       | 80                   | 38   | 18.5      | Y180M-4               |                       |         |           |         |    |  |  |  |
|            | E    |                      |      |           |                       |           |                       |           |                       | 75                   | 30   | 5         | Y180M-4               | 18.                   | Y180M-4 | 30        | Y200L-4 |    |  |  |  |
| HCZ100-200 | A    | 220                  | 45   | 45        | Y225M-2               | 55        | Y250M-2               |           |                       | 115                  | 11   |           |                       | 11                    | Y160M-4 | 11        | Y160M-2 |    |  |  |  |
|            | B    | 200                  | 40   | 30        | Y200L <sub>1</sub> -2 | 45        | Y225M-2               | 55        | Y250M-2               | 100                  | 10   | 5.5       | Y132S-4               |                       |         |           |         |    |  |  |  |
|            | C    | 180                  | 30   | 22        | Y180M-2               | 30        | Y200L <sub>1</sub> -2 | 45        | Y225M-2               | 90                   | 8    |           |                       | 5.5                   | Y132S-4 | 5.5       | Y132S-4 |    |  |  |  |
|            | D    | 150                  | 25   |           |                       |           |                       | 37        | Y200L <sub>1</sub> -2 | 80                   | 6    |           |                       |                       |         |           |         |    |  |  |  |
| HCZ100-250 | A    | 280                  | 75   | 90        | Y280M-2               | 110       | Y315S-2               | 160       | Y315M <sub>2</sub> -2 | 130                  | 20   | 15        | Y160L-4               | 30                    | Y200L-4 | 30        | Y200L-4 |    |  |  |  |
|            | B    | 250                  | 70   | 75        | Y280S-2               |           |                       | 132       | Y315M <sub>1</sub> -2 | 130                  | 18   |           |                       | 15                    | Y160L-4 | 15        |         |    |  |  |  |
|            | C    | 230                  | 55   | 55        | Y250M-2               | 75        | Y280S-2               | 110       | Y315S-2               | 120                  | 14   | 11        | Y160M-4               | 11                    | Y160M-4 |           | Y160L-4 |    |  |  |  |
|            | D    | 200                  | 40   | 37        | Y200L <sub>2</sub> -2 | 55        | Y250M-2               | 75        | Y280S-2               | 110                  | 10   |           |                       |                       |         | 11        | Y160M-4 |    |  |  |  |
| HCZ100-315 | A    | 270                  | 135  | 160       | Y315M <sub>2</sub> -2 |           |                       |           |                       | 132                  | 32   | 30        | Y200L-4               | 30                    | Y200L-4 |           |         |    |  |  |  |
|            | B    | 250                  | 130  | 132       | Y315S-2               |           |                       |           |                       | 120                  | 30   | 18.5      | Y180M-4               |                       |         | 30        | Y200L-4 |    |  |  |  |
|            | C    | 230                  | 100  | 110       | Y315S-2               | 132       | Y315M <sub>1</sub> -2 |           |                       | 100                  | 26   | 15        | Y160L-4               | 15                    | Y160L-4 |           |         |    |  |  |  |
|            | D    | 200                  | 85   | 75        | Y280S-2               | 110       | Y315S-2               | 132       | Y315M <sub>1</sub> -2 | 90                   | 21   |           |                       |                       |         | 18.5      | Y180M-4 |    |  |  |  |
| HCZ100-400 | A    |                      |      |           |                       |           |                       |           |                       | 150                  | 50   | 45        | Y225M-4               | 45                    | Y225M-4 |           |         |    |  |  |  |
|            | B    |                      |      |           |                       |           |                       |           |                       | 140                  | 48   | 30        | Y200L-4               |                       |         |           |         |    |  |  |  |
|            | C    |                      |      |           |                       |           |                       |           |                       | 120                  | 40   |           |                       | 30                    | Y200L-4 | 45        | Y225M-4 |    |  |  |  |
|            | D    |                      |      |           |                       |           |                       |           |                       | 100                  | 30   | 18.5      | Y180M-4               |                       |         | 30        | Y220L-4 |    |  |  |  |

| 型号             | 叶轮形式 | 泵额定转速 n=2900 r / min |      |           |  |           |  |           | 泵额定转速 n=1450 r / min |      |      |                       |      |                      |     |                       |    |
|----------------|------|----------------------|------|-----------|--|-----------|--|-----------|----------------------|------|------|-----------------------|------|----------------------|-----|-----------------------|----|
|                |      | 流量 Q                 | 扬程 H | 比重 y=1.00 |  | 比重 y=1.35 |  | 比重 y=1.84 |                      | 流量 Q | 扬程 H | 比重 y=1.00             |      | 比重 y=1.35            |     | 比重 y=1.84             |    |
|                |      |                      |      | 电动机功率及型号  |  |           |  |           |                      |      |      | 电动机功率及型号              |      |                      |     |                       |    |
|                |      |                      |      | KW        |  | KW        |  | KW        |                      |      |      | KW                    |      | KW                   |     | KW                    |    |
| HCZ125-25<br>0 | A    |                      |      |           |  |           |  |           | 200                  | 20   | 18.5 | Y180M-4               | 22   | Y180L-4              |     |                       |    |
|                | B    |                      |      |           |  |           |  |           | 200                  | 18   | 15   | Y160L-4               | 18.5 | Y180M-4              |     |                       |    |
|                | C    |                      |      |           |  |           |  |           | 190                  | 14   | 11   | Y160L-4               | 15   | Y160M-4              |     |                       |    |
|                | D    |                      |      |           |  |           |  |           | 160                  | 10   |      |                       | 11   | Y160M-4              | 15  | Y160L-4               |    |
| HCZ125-31<br>5 | A    |                      |      |           |  |           |  |           | 200                  | 30   | 30   | Y200L-4               | 37   | Y225S-4              | 45  | Y225M-4               |    |
|                | B    |                      |      |           |  |           |  |           | 180                  | 30   |      |                       | 30   | Y220L-4              | 37  | Y225S-4               |    |
|                | C    |                      |      |           |  |           |  |           | 170                  | 24   | 18.5 | Y180M-4               |      |                      | 30  | Y200L-4               |    |
|                | D    |                      |      |           |  |           |  |           | 100                  | 18   | 15   | Y160L-4               | 18.5 | Y180M-4              |     |                       |    |
| HCZ125-40<br>0 | A    |                      |      |           |  |           |  |           | 220                  | 50   | 55   | Y250M-4               | 75   | Y280S-4              |     |                       |    |
|                | B    |                      |      |           |  |           |  |           | 200                  | 48   | 45   | Y225M-4               | 75   | Y280S-4              |     |                       |    |
|                | C    |                      |      |           |  |           |  |           | 180                  | 46   | 37   | Y225S-4               | 55   | Y250S-4              |     |                       |    |
|                | D    |                      |      |           |  |           |  |           | 170                  | 42   | 30   | Y200L-4               | 45   | Y225M-4              |     |                       |    |
|                | E    |                      |      |           |  |           |  |           | 150                  | 36   |      |                       | 30   | Y200L-4              |     |                       |    |
|                | F    |                      |      |           |  |           |  |           | 150                  | 30   |      |                       |      |                      |     |                       |    |
| HCZ150-25<br>0 | A    |                      |      |           |  |           |  |           | 320                  | 17   | 22   | Y180L-4               | 30   | Y200L-4              | 37  | Y225S-4               |    |
|                | B    |                      |      |           |  |           |  |           | 300                  | 15   | 18.5 | Y180M-4               |      |                      |     |                       |    |
|                | C    |                      |      |           |  |           |  |           | 280                  | 13   |      |                       |      |                      |     |                       |    |
|                | D    |                      |      |           |  |           |  |           | 260                  | 12   | 15   | Y160L-4               | 18.5 | Y180M-4              | 30  | Y200L-4               |    |
|                | E    |                      |      |           |  |           |  |           | 240                  | 11   | 11   | Y160M-4               | 15   | Y160L-4              | 22  | Y180L-4               |    |
| HCZ150-31<br>5 | A    |                      |      |           |  |           |  |           | 380                  | 30   | 45   | Y225M-4               | 75   | Y280S-4              |     |                       |    |
|                | B    |                      |      |           |  |           |  |           | 340                  | 26   | 37   | Y225S-4               | 45   | Y225M-4              |     |                       |    |
|                | C    |                      |      |           |  |           |  |           | 320                  | 20   | 30   | Y200L-4               | 37   | Y225S-4              | 55  | Y250M-4               |    |
|                | D    |                      |      |           |  |           |  |           | 300                  | 17   | 22   | Y180L-4               | 30   | Y200L-4              | 37  | Y225S-4               |    |
| HCZ150-40<br>0 | A    |                      |      |           |  |           |  |           | 400                  | 48   | 75   | Y280S-4               | 110  | Y315S-4              |     |                       |    |
|                | B    |                      |      |           |  |           |  |           | 340                  | 40   | 55   | Y250M-4               | 75   | Y280S-4              |     |                       |    |
|                | C    |                      |      |           |  |           |  |           | 300                  | 34   | 45   | Y225M-4               |      |                      |     |                       | 90 |
|                | D    |                      |      |           |  |           |  |           | 260                  | 28   | 37   | Y225S-4               | 45   | Y225M-4              | 75  | Y280S-4               |    |
| HCZ150-50<br>0 | A    |                      |      |           |  |           |  |           | 420                  | 80   | 132  | Y315M <sub>1</sub> -4 |      |                      |     |                       |    |
|                | B    |                      |      |           |  |           |  |           | 400                  | 70   | 110  | Y315S-4               | 160  | Y315M <sub>2</sub> - |     |                       |    |
|                | C    |                      |      |           |  |           |  |           | 360                  | 65   |      |                       | 132  | Y315M <sub>1</sub> - |     |                       |    |
|                | D    |                      |      |           |  |           |  |           | 340                  | 50   | 75   | Y280S-4               | 110  | Y315S-4              | 132 | Y315M <sub>1</sub> -4 |    |
|                | E    |                      |      |           |  |           |  |           | 300                  | 45   | 55   | Y250M-4               | 75   | Y280S-4              | 110 | Y315S-4               |    |

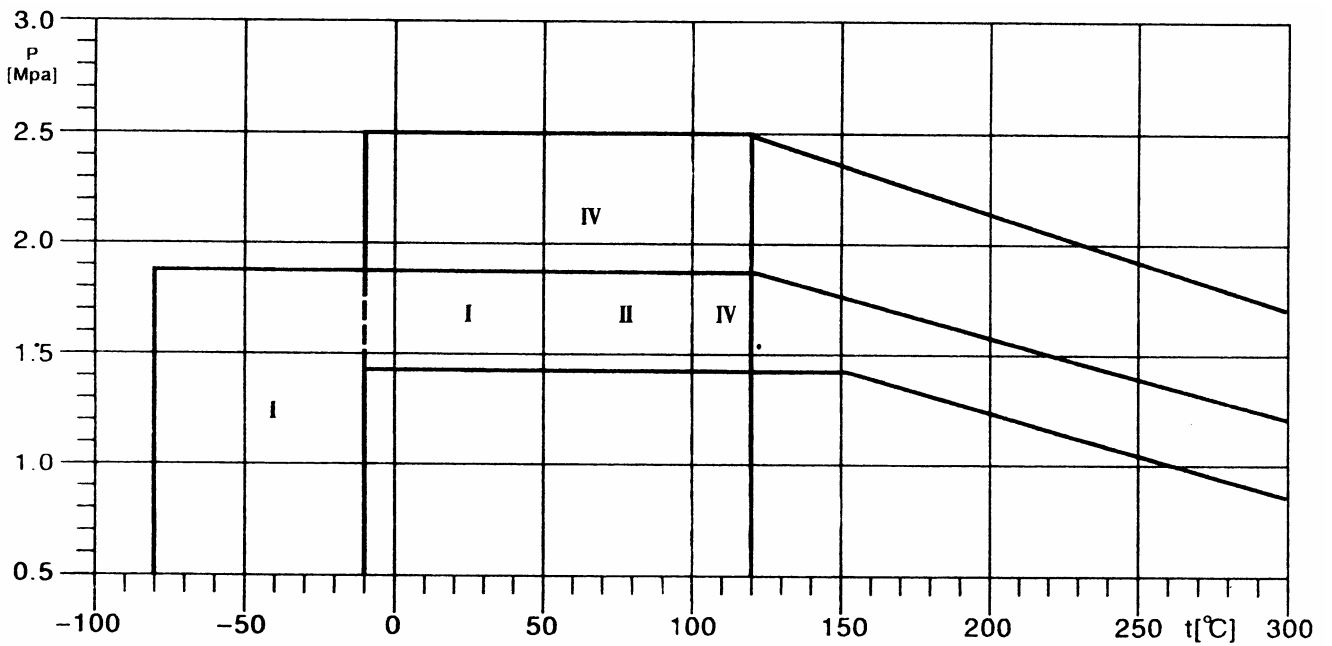
| 型号         | 叶轮形式 | 泵额定转速 n=2900 r / min |      |           |  |           |  |           |      | 泵额定转速 n=1450 r / min |      |                       |     |                       |         |                       |  |    |  |  |  |
|------------|------|----------------------|------|-----------|--|-----------|--|-----------|------|----------------------|------|-----------------------|-----|-----------------------|---------|-----------------------|--|----|--|--|--|
|            |      | 流量 Q                 | 扬程 H | 比重 y=1.00 |  | 比重 y=1.35 |  | 比重 y=1.84 |      | 流量 Q                 | 扬程 H | 比重 y=1.00             |     | 比重 y=1.35             |         | 比重 y=1.84             |  |    |  |  |  |
|            |      |                      |      | 电动机功率及型号  |  |           |  |           |      |                      |      | 电动机功率及型号              |     |                       |         |                       |  |    |  |  |  |
|            |      |                      |      | KW        |  | KW        |  | KW        |      |                      |      | KW                    |     | KW                    |         | KW                    |  | KW |  |  |  |
| HCZ200-250 | A    |                      |      |           |  |           |  |           | 600  | 12                   | 30   | Y200L-4               | 37  | Y225S-4               |         |                       |  |    |  |  |  |
|            | B    |                      |      |           |  |           |  |           | 540  | 11                   | 22   | Y180L-4               | 30  | Y200L-4               |         |                       |  |    |  |  |  |
|            | C    |                      |      |           |  |           |  |           | 500  | 10                   |      |                       |     | 37                    | Y225S-4 |                       |  |    |  |  |  |
| HCZ200-315 | A    |                      |      |           |  |           |  |           | 650  | 24                   | 55   | Y250M-4               | 75  | Y280S-4               |         |                       |  |    |  |  |  |
|            | B    |                      |      |           |  |           |  |           | 600  | 20                   |      |                       |     |                       |         |                       |  |    |  |  |  |
|            | C    |                      |      |           |  |           |  |           | 550  | 16                   | 37   | Y225S-4               | 45  | Y225M-4               |         |                       |  |    |  |  |  |
|            | D    |                      |      |           |  |           |  |           | 500  | 13                   | 30   | Y200L-4               | 37  | Y225S-4               | 55      | Y250M-4               |  |    |  |  |  |
| HCZ200-400 | A    |                      |      |           |  |           |  |           | 650  | 52                   | 132  | Y315M <sub>1</sub> -4 |     |                       |         |                       |  |    |  |  |  |
|            | B    |                      |      |           |  |           |  |           | 550  | 45                   | 90   | Y280M-4               | 132 | Y315M <sub>1</sub> -4 |         |                       |  |    |  |  |  |
|            | C    |                      |      |           |  |           |  |           | 500  | 40                   | 75   | Y280S-4               | 110 | Y280M-4               | 160     | Y315M <sub>2</sub> -4 |  |    |  |  |  |
|            | D    |                      |      |           |  |           |  |           | 450  | 30                   | 55   | Y250M-4               | 75  | Y280S-4               | 110     | Y315S-4               |  |    |  |  |  |
| HCZ200-500 | A    |                      |      |           |  |           |  |           | 700  | 75                   |      |                       |     |                       |         |                       |  |    |  |  |  |
|            | B    |                      |      |           |  |           |  |           | 650  | 65                   | 160  | Y315M <sub>2</sub> -4 |     |                       |         |                       |  |    |  |  |  |
|            | C    |                      |      |           |  |           |  |           | 550  | 55                   | 110  | Y250M-4               | 160 | Y315M <sub>2</sub> -4 |         |                       |  |    |  |  |  |
|            | D    |                      |      |           |  |           |  |           | 450  | 40                   | 75   | Y280S-4               | 110 | Y315S-4               | 132     | Y315M <sub>1</sub> -4 |  |    |  |  |  |
| HCZ250-315 | A    |                      |      |           |  |           |  |           | 950  | 22                   | 75   | Y280S-4               | 110 | Y315S-4               |         |                       |  |    |  |  |  |
|            | B    |                      |      |           |  |           |  |           | 900  | 20                   |      |                       | 90  | Y280M-4               |         |                       |  |    |  |  |  |
|            | C    |                      |      |           |  |           |  |           | 800  | 16                   | 55   | Y250M-4               | 75  | Y280S-4               |         |                       |  |    |  |  |  |
|            | D    |                      |      |           |  |           |  |           |      |                      |      |                       |     |                       |         |                       |  |    |  |  |  |
| HCZ250-400 | A    |                      |      |           |  |           |  |           | 1000 | 44                   | 160  | Y315M <sub>2</sub> -4 |     |                       |         |                       |  |    |  |  |  |
|            | B    |                      |      |           |  |           |  |           | 900  | 38                   | 132  | Y315M <sub>1</sub> -4 |     |                       |         |                       |  |    |  |  |  |
|            | C    |                      |      |           |  |           |  |           | 850  | 30                   | 110  | Y315S-4               | 160 | Y315M <sub>2</sub> -4 |         |                       |  |    |  |  |  |
|            | D    |                      |      |           |  |           |  |           | 800  | 24                   | 90   | Y280M-4               | 110 | Y315S-4               | 160     | Y315M <sub>2</sub> -4 |  |    |  |  |  |
| HCZ250-500 | A    |                      |      |           |  |           |  |           | 1200 | 80                   |      |                       |     |                       |         |                       |  |    |  |  |  |
|            | B    |                      |      |           |  |           |  |           | 1100 | 70                   |      |                       |     |                       |         |                       |  |    |  |  |  |
|            | C    |                      |      |           |  |           |  |           | 1000 | 55                   |      |                       |     |                       |         |                       |  |    |  |  |  |
|            | D    |                      |      |           |  |           |  |           | 850  | 45                   | 160  | Y315M <sub>2</sub> -4 |     |                       |         |                       |  |    |  |  |  |
| HCZ300-400 | A    |                      |      |           |  |           |  |           | 1500 | 40                   |      |                       |     |                       |         |                       |  |    |  |  |  |
|            | B    |                      |      |           |  |           |  |           | 1400 | 30                   | 160  | Y315M <sub>2</sub> -4 |     |                       |         |                       |  |    |  |  |  |
|            | C    |                      |      |           |  |           |  |           | 1300 | 25                   | 132  | Y315M <sub>1</sub> -4 |     |                       |         |                       |  |    |  |  |  |
|            | D    |                      |      |           |  |           |  |           | 1300 | 20                   | 110  | Y315S-4               | 160 | Y315M <sub>2</sub> -4 |         |                       |  |    |  |  |  |
| HCZ300-500 | A    |                      |      |           |  |           |  |           | 1700 | 70                   |      |                       |     |                       |         |                       |  |    |  |  |  |
|            | B    |                      |      |           |  |           |  |           | 1500 | 60                   |      |                       |     |                       |         |                       |  |    |  |  |  |
|            | C    |                      |      |           |  |           |  |           | 1300 | 50                   |      |                       |     |                       |         |                       |  |    |  |  |  |
|            | D    |                      |      |           |  |           |  |           | 1100 | 40                   |      |                       |     |                       |         |                       |  |    |  |  |  |

说明：订货合同在泵型上还应注明叶轮型式，例如：选 HCZ40-250，叶轮型式为 A，应写为 HCZ40-250A  
表中有流量、扬程值而无功率值的泵，需订货时当面确定。



- 430.00 O 型圈
- 074.00 轴 套
- 074.01 轴 套
- S30.00 单端面密封
- D30.00 双端面密封
- 070.00 密封压盖
- 070.01 密封压盖
- 460.01 螺母
- 451.01 螺栓

八、压力—温度图表



| 泵体、泵盖材料                                                                                                                                       | 试验压力     |
|-----------------------------------------------------------------------------------------------------------------------------------------------|----------|
| I 类 1.421 (B), 1.4308 (304), 1.4446 (304L)<br>II 类 1.4410 (M), 1.4408 (316), 1.6902 (316L), 2.4879 (804)<br>1.4500 (904), 1.4536 (904L) 钛及钛合金 | 2.7MPa   |
| III 类 E HT20-40                                                                                                                               | 2.1 MPa  |
| IV 类 ZG25                                                                                                                                     | 3.75 MPa |
| V 类 ZG1Cr13                                                                                                                                   |          |



九、剖面图

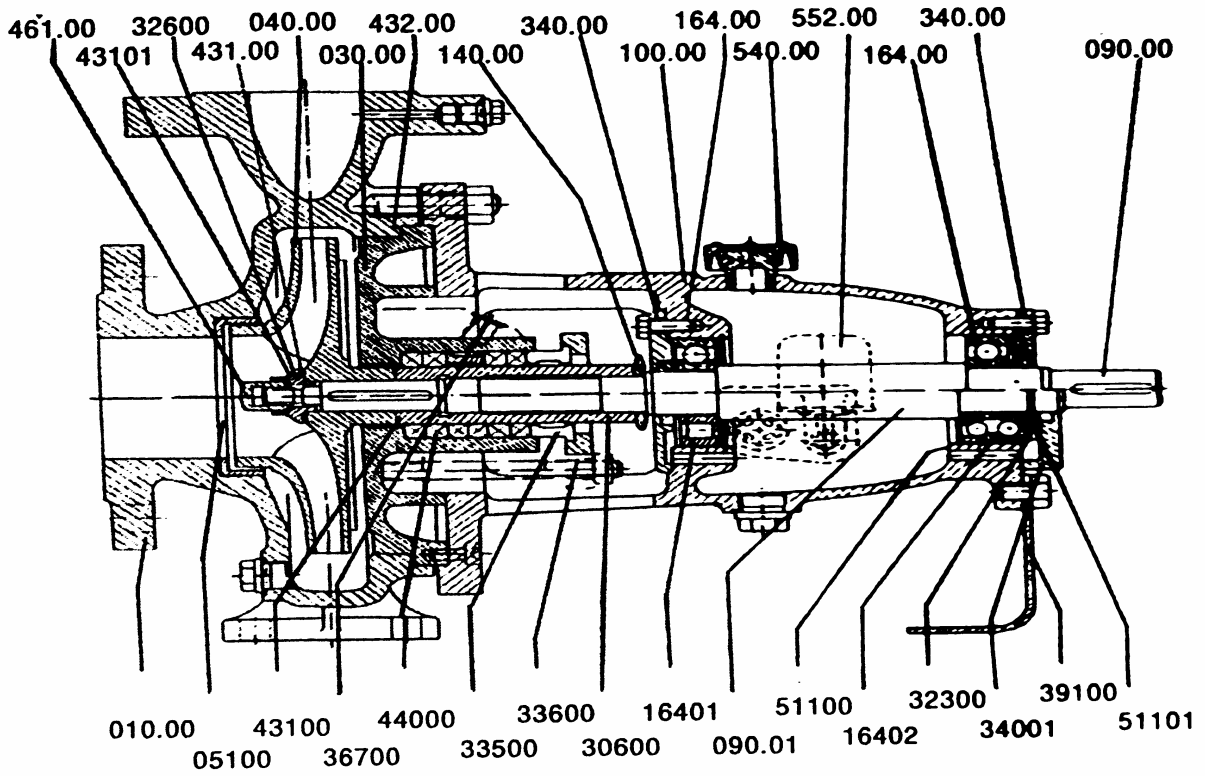


图4 带付叶的叶轮，填料函不需冷却

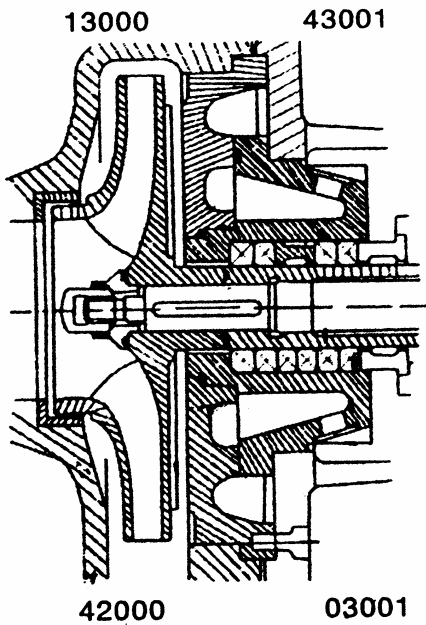


图5 带付叶片的叶轮，填料函带却

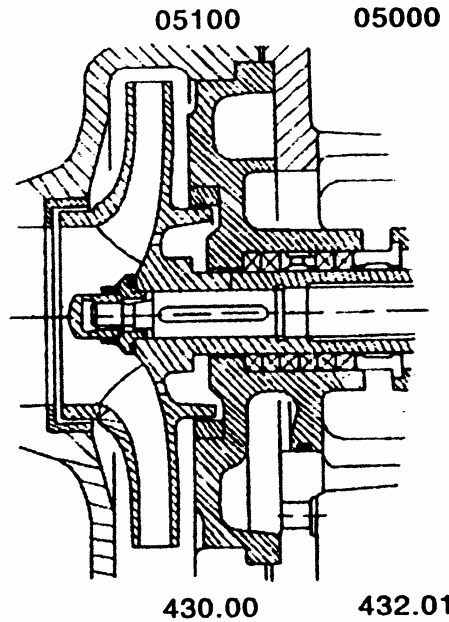


图6 带平衡孔的叶轮，叶轮名义直径为 315 毫米，后壳耐磨环。填料函冷切/不冷却。

010.00

泵体

336.00

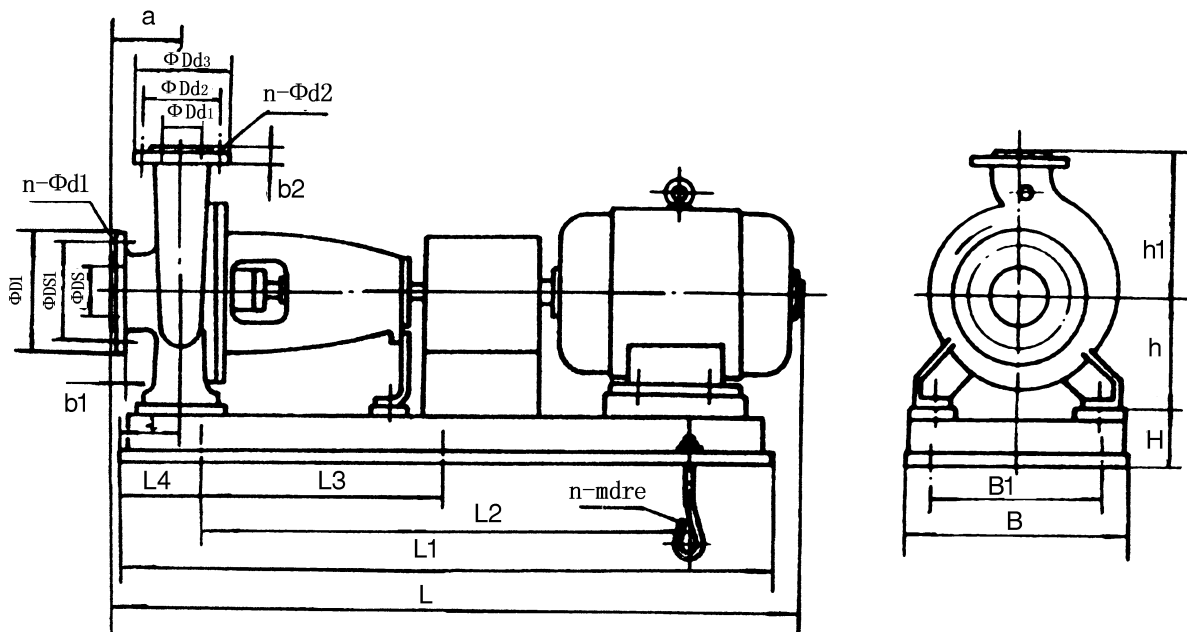
压盖法兰

|         |      |         |      |
|---------|------|---------|------|
| 030.00  | 填料函  | 340.00  | 轴承压盖 |
| 030.01  | 填料函  | 340.01  | 轴承压盖 |
| *040.00 | 叶轮   | 367.00  | 水封环  |
| *050.00 | 磨损环  | 391.00  | 支脚   |
| *051.00 | 磨损环  | 430.00  | O形环  |
| 090.00  | 轴    | 430.01  | O形环  |
| 090.01  | 轴    | 430.00  | 密封环  |
| 100     | 轴承架  | *431.01 | 密封环  |
| 130.00  | 泵盖   | *432.00 | 密封垫  |
| 140.00  | 防酸环  | *432.01 | 密封垫  |
| 164.00  | 滚动轴承 | *440.00 | 填料   |
| 164.01  | 滚动轴承 | *461.00 | 叶轮螺母 |
| 164.02  | 滚动轴承 | 511.00  | 卡环   |
| *306.00 | 轴套   | 511.01  | 卡环   |
| 323.00  | 挡圈   | 540.00  | 排气油塞 |
| *326.00 | 卡盘   | 552.00  | 恒位油杯 |
| 335.00  | 压盖视套 |         |      |

订货须知:

1. 根据使用条件决定泵的规格、材料、轴封型式及原动机。订货时应指出流量、扬程、吸入压力、选用材料、介质的名称、比重及温度等。
2. 配用特殊电动机时、要指出防爆等级、功率、电压、周波等
- 3、若选用机械密封、订货时应提出。
- 4、本样本内所列性能参数，用户可在其范围内任选，指定叶轮型式或指定性能参数。

#### 十、HCZ 标准化工泵安装尺寸图



## 十一、HCZ 泵进出口法兰尺寸

| 泵型号       | $\phi D_{s1}$ | $\phi D_{s1}$ | $\phi D_{s2}$ | $\phi$ | $\phi b1$      | N- $\phi d1$ | $\phi Dd$ | $\phi D2$ | $\phi b2$ | n- $\phi d2$   |
|-----------|---------------|---------------|---------------|--------|----------------|--------------|-----------|-----------|-----------|----------------|
| HCZ32-160 | 50            | 125           | 165           | 20     | 4- $\phi 17.5$ | 32           | 100       | 140       | 18        | 4- $\phi 17.5$ |
| ANSI150RF | 50            | 121           |               |        | 4- $\phi 19$   | 32           | 98        |           |           | 4- $\phi 16$   |
| HCZ32-200 | 50            | 125           | 165           | 20     | 4- $\phi 17.5$ | 32           | 100       | 140       | 18        | 4- $\phi 17.5$ |
| ANSI150RF | 50            | 121           |               |        | 4- $\phi 19$   | 32           | 98        |           |           | 4- $\phi 16$   |
| HCZ32-250 | 50            | 125           | 165           | 20     | 4- $\phi 17.5$ | 32           | 100       | 140       | 18        | 4- $\phi 17.5$ |
| ANSI125EF | 50            | 121           |               |        | 4- $\phi 19$   | 32           | 98        |           |           | 4- $\phi 16$   |
| HCZ40-160 | 65            | 145           | 185           | 22     | 8- $\phi 17.5$ | 40           | 110       | 150       | 18        | 4- $\phi 17.5$ |
| ANSI150RF | 65            | 140           |               |        | 4- $\phi 19$   | 40           | 98        |           |           | 4- $\phi 16$   |
| HCZ40-200 | 65            | 145           | 185           | 22     | 8- $\phi 17.5$ | 40           | 110       | 150       | 18        | 4- $\phi 17.5$ |
| ANSI150RF | 65            | 140           |               |        | 4- $\phi 19$   | 40           | 98        |           |           | 4- $\phi 16$   |
| HCZ40-250 | 65            | 145           | 185           | 22     | 8- $\phi 17.5$ | 40           | 110       | 150       | 18        | 4- $\phi 17.5$ |
| ANSI150RF | 65            | 140           |               |        | 4- $\phi 19$   | 40           | 98        |           |           | 4- $\phi 16$   |
| HCZ40-315 | 65            | 145           | 185           | 22     | 8- $\phi 17.5$ | 40           | 110       | 150       | 18        | 4- $\phi 17.5$ |
| ANSI150RF | 65            | 140           |               |        | 4- $\phi 19$   | 40           | 98        |           |           | 4- $\phi 16$   |
| HCZ50-160 | 80            | 160           | 200           | 24     | 8- $\phi 17.5$ | 50           | 125       | 165       | 20        | 4- $\phi 17.5$ |
| ANSI150RF | 80            | 152           |               |        | 4- $\phi 19$   | 50           | 121       |           |           | 4- $\phi 19$   |
| HCZ50-200 | 80            | 160           | 200           | 24     | 8- $\phi 17.5$ | 50           | 125       | 165       | 20        | 4- $\phi 17.5$ |
| ANSI150RF | 80            | 152           |               |        | 4- $\phi 19$   | 50           | 121       |           |           | 4- $\phi 19$   |
| HCZ50-250 | 80            | 160           | 200           | 24     | 8- $\phi 17.5$ | 50           | 125       | 165       | 20        | 4- $\phi 17.5$ |
| ANSI150RF | 80            | 152           |               |        | 4- $\phi 19$   | 50           | 121       |           |           | 4- $\phi 19$   |
| HCZ50-315 | 80            | 160           | 200           | 24     | 8- $\phi 17.5$ | 50           | 125       | 165       | 20        | 4- $\phi 17.5$ |
| ANSI150RF | 80            | 152           |               |        | 4- $\phi 19$   | 50           | 121       |           |           | 4- $\phi 19$   |
| HCZ65-160 | 100           | 190           | 235           | 24     | 8- $\phi 22$   | 65           | 145       | 185       | 22        | 8- $\phi 17.5$ |
| ANSI150RF | 100           | 190           |               |        | 8- $\phi 19$   | 65           | 140       |           |           | 4- $\phi 19$   |
| HCZ65-200 | 100           | 190           | 235           | 24     | 8- $\phi 22$   | 65           | 145       | 185       | 22        | 8- $\phi 17.5$ |
| ANSI150RF | 100           | 191           |               |        | 8- $\phi 19$   | 65           | 140       |           |           | 4- $\phi 19$   |
| HCZ65-250 | 100           | 190           | 235           | 24     | 8- $\phi 22$   | 65           | 145       | 185       | 22        | 8- $\phi 17.5$ |
| ANSI150RF | 100           | 191           |               |        | 8- $\phi 19$   | 65           | 140       |           |           | 4- $\phi 19$   |

| 泵型号        | $\phi D_{s1}$ | $\phi D_{s1}$ | $\phi D_{s2}$ | $\phi D_1$ | $\phi b_1$   | N- $\phi d_1$ | $\phi D_d$ | $\phi D_2$ | $\phi b_2$ | n- $\phi d_2$  |
|------------|---------------|---------------|---------------|------------|--------------|---------------|------------|------------|------------|----------------|
| HCZ65-315  | 100           | 190           | 235           | 24         | 8- $\phi 22$ | 65            | 145        | 185        | 22         | 8- $\phi 17.5$ |
| ANSI150RF  | 100           | 191           |               |            | 8- $\phi 19$ | 65            | 140        |            |            | 4- $\phi 19$   |
| HCZ80-160  | 125           | 220           | 270           | 26         | 8- $\phi 26$ | 80            | 160        | 200        | 22         | 8- $\phi 17.5$ |
| ANSI150RF  | 125           | 216           |               |            | 8- $\phi 22$ | 80            | 152        |            |            | 4- $\phi 19$   |
| HCZ80-200  | 125           | 220           | 270           | 26         | 8- $\phi 26$ | 80            | 160        | 200        | 24         | 8- $\phi 17.5$ |
| ANSI125EF  | 125           | 216           |               |            | 8- $\phi 22$ | 80            | 152        |            |            | 4- $\phi 19$   |
| HCZ80-250  | 125           | 220           | 270           | 26         | 8- $\phi 26$ | 80            | 160        | 200        | 24         | 8- $\phi 17.5$ |
| HCZ80-315  | 125           | 220           | 270           | 26         | 8- $\phi 26$ | 80            | 160        | 200        | 24         | 8- $\phi 17.5$ |
| ANSI150RF  | 125           | 216           |               |            | 8- $\phi 22$ | 80            | 152        |            |            | 4- $\phi 19$   |
| HCZ80-400  | 125           | 220           | 270           | 26         | 8- $\phi 26$ | 80            | 160        | 100        | 24         | 8- $\phi 17.5$ |
| ANSI150RF  | 125           | 216           |               |            | 8- $\phi 22$ | 80            | 152        |            |            | 4- $\phi 19$   |
| HCZ100-200 | 125           | 220           | 270           | 26         | 8- $\phi 26$ | 100           | 190        | 235        | 24         | 8- $\phi 22$   |
| HCZ100-250 | 125           | 220           | 270           | 26         | 8- $\phi 26$ | 100           | 190        | 235        | 24         | 8- $\phi 22$   |
| ANSI150RF  | 125           | 216           |               |            | 8- $\phi 22$ | 100           | 191        |            |            | 8- $\phi 19$   |
| HCZ100-315 | 125           | 220           | 270           | 26         | 8- $\phi 26$ | 100           | 190        | 235        | 24         | 8- $\phi 22$   |
| ANSI150RF  | 125           | 216           |               |            | 8- $\phi 22$ | 100           | 191        |            |            | 8- $\phi 19$   |
| HCZ100-315 | 125           | 220           | 270           | 26         | 8- $\phi 26$ | 100           | 190        | 235        | 24         | 8- $\phi 22$   |
| ANSI150RF  | 125           | 216           |               |            | 8- $\phi 22$ | 100           | 191        |            |            | 8- $\phi 19$   |
| HCZ100-400 | 125           | 220           | 270           | 26         | 8- $\phi 26$ | 100           | 190        | 235        | 24         | 8- $\phi 22$   |
| ANSI150RF  | 125           | 216           |               |            | 8- $\phi 22$ | 100           | 191        |            |            | 8- $\phi 19$   |
| HCZ125-250 | 150           | 251           | 300           | 26         | 8- $\phi 26$ | 125           | 220        | 270        | 26         | 8- $\phi 26$   |
| ANSI150RF  | 150           | 241           |               |            | 8- $\phi 22$ | 125           | 216        |            |            | 8- $\phi 22$   |
| HCZ125-315 | 150           | 250           | 300           | 26         | 8- $\phi 26$ | 125           | 220        | 270        | 26         | 8- $\phi 26$   |
| ANSI150RF  | 150           | 241           |               |            | 8- $\phi 22$ | 125           | 216        |            |            | 8- $\phi 22$   |
| HCZ125-400 | 150           | 250           | 300           | 26         | 8- $\phi 26$ | 125           | 220        | 270        | 26         | 8- $\phi 26$   |
| ANSI150RF  | 150           | 241           |               |            | 8- $\phi 22$ | 125           | 216        |            |            | 8- $\phi 22$   |

| 泵型号        | $\varnothing D_{s1}$ | $\varnothing D_{s1}$ | $\varnothing D_{s2}$ | $\varnothing D_1$ | $\varnothing b_1$    | N- $\varnothing d_1$ | $\varnothing D_d$ | $\varnothing D_2$ | $\varnothing b_2$ | n- $\varnothing d_2$ |
|------------|----------------------|----------------------|----------------------|-------------------|----------------------|----------------------|-------------------|-------------------|-------------------|----------------------|
| HCZ150-250 | 200                  | 310                  | 360                  | 30                | 12- $\varnothing 26$ | 150                  | 250               | 300               | 28                | 8- $\varnothing 26$  |
| ANSI150RF  | 200                  | 298                  |                      |                   | 8-22 $\varnothing$   | 150                  | 241               |                   |                   | 8- $\varnothing 22$  |
| HCZ150-315 | 200                  | 310                  | 360                  | 30                | 12- $\varnothing 22$ | 150                  | 250               | 300               | 28                | 8- $\varnothing 26$  |
| ANSI150RF  | 200                  | 298                  |                      |                   | 8- $\varnothing 26$  | 150                  | 241               |                   |                   | 8- $\varnothing 22$  |
| HCZ150-400 | 200                  | 310                  | 360                  | 30                | 12- $\varnothing 26$ | 150                  | 250               | 300               | 28                | 8- $\varnothing 26$  |
| ANSI150EF  | 200                  | 298                  |                      |                   | 8- $\varnothing 22$  | 150                  | 241               |                   |                   | 8- $\varnothing 22$  |
| HCZ150-500 | 200                  | 310                  | 360                  | 30                | 8- $\varnothing 26$  | 150                  | 250               | 300               | 28                | 8- $\varnothing 26$  |
| HCZ150-500 | 200                  | 310                  | 360                  | 30                | 8- $\varnothing 26$  | 150                  | 250               | 300               | 28                | 8- $\varnothing 26$  |
| HCZ200-250 | 200                  | 310                  | 360                  | 30                | 12- $\varnothing 26$ | 200                  | 310               | 360               | 30                | 12- $\varnothing 26$ |
| ANSI150RF  | 200                  | 298                  |                      |                   | 8- $\varnothing 22$  | 200                  | 298               |                   |                   | 8- $\varnothing 22$  |
| HCZ200-315 | 250                  | 370                  | 425                  | 32                | 12- $\varnothing 30$ | 200                  | 310               | 360               | 30                | 12- $\varnothing 26$ |
| ANSI150RF  | 250                  | 362                  |                      |                   | 12- $\varnothing 26$ | 200                  | 298               |                   |                   | 8- $\varnothing 22$  |
| HCZ200-400 | 250                  | 370                  | 425                  | 32                | 12- $\varnothing 30$ | 200                  | 310               | 360               | 30                | 12- $\varnothing 26$ |
| HCZ200-500 | 250                  | 370                  | 425                  | 32                | 12- $\varnothing 30$ | 200                  | 310               | 360               | 30                | 12- $\varnothing 26$ |
| HCZ250-315 | 300                  | 430                  | 485                  | 34                | 16- $\varnothing 30$ | 250                  | 370               | 425               | 32                | 12- $\varnothing 30$ |
| ANSI150RF  | 300                  | 432                  |                      |                   | 12- $\varnothing 26$ | 250                  | 362               |                   |                   | 12- $\varnothing 26$ |
| HCZ250-400 | 300                  | 430                  | 485                  | 34                | 16- $\varnothing 30$ | 250                  | 370               | 425               | 32                | 12- $\varnothing 30$ |
| ANSI150RF  | 300                  | 432                  |                      |                   | 12- $\varnothing 26$ | 250                  | 362               |                   |                   | 12- $\varnothing 26$ |
| HCZ250-500 | 300                  | 430                  | 485                  | 34                | 16- $\varnothing 30$ | 250                  | 370               | 425               | 32                | 12- $\varnothing 30$ |
| HCZ300-400 | 300                  | 490                  | 555                  | 38                | 16- $\varnothing 33$ | 300                  | 430               | 485               | 34                | 16- $\varnothing 30$ |
| HCZ300-500 | 350                  | 490                  | 555                  | 38                | 16- $\varnothing 33$ | 300                  | 430               | 485               | 34                | 16- $\varnothing 30$ |

| 泵型号                    | 电机机座号 | a   | H   | h1  | L    | L1   | L2  | L3 | L4  | B   | B1  | n-Md × 1  | H   | i  | 质(重)量 |     |           |     |    |     |
|------------------------|-------|-----|-----|-----|------|------|-----|----|-----|-----|-----|-----------|-----|----|-------|-----|-----------|-----|----|-----|
| HCZ32-160<br>ANSI150RF | 90S   | 80  | 132 | 160 | 915  | 900  | 600 |    | 150 | 390 | 350 | 4-M12×220 | 125 | 75 | 120   |     |           |     |    |     |
|                        | 90L   |     |     |     | 940  |      |     |    |     |     |     |           |     |    | 123   |     |           |     |    |     |
|                        | 100L  |     |     |     | 985  |      |     |    |     |     |     |           |     |    | 131   |     |           |     |    |     |
|                        | 112M  |     |     |     | 1005 | 143  |     |    |     |     |     |           |     |    |       |     |           |     |    |     |
|                        | 132S  |     |     |     | 1080 | 1000 | 660 |    | 170 |     |     |           |     |    | 182   |     |           |     |    |     |
| HCZ32-200<br>ANSI150RF | 90L   | 80  | 160 | 180 | 940  | 900  | 600 |    | 150 | 390 | 350 | 4-M12×220 | 125 | 75 | 129   |     |           |     |    |     |
|                        | 100L  |     |     |     | 985  |      |     |    |     |     |     |           |     |    | 137   |     |           |     |    |     |
|                        | 112M  |     |     |     | 1005 |      |     |    |     |     |     |           |     |    | 149   |     |           |     |    |     |
|                        | 132S  |     |     |     | 1080 | 1000 | 660 |    | 170 |     |     |           |     |    | 194   |     |           |     |    |     |
|                        | 160M  |     |     |     | 1205 | 1120 | 740 |    | 190 |     |     |           |     |    | 305   |     |           |     |    |     |
| HCZ32-250<br>ANSI150RF | 90S   | 100 | 180 | 225 | 1050 | 1000 | 660 |    | 170 | 390 | 350 | 4-M12×220 | 125 | 90 | 196   |     |           |     |    |     |
|                        | 90L   |     |     |     | 1070 |      |     |    |     |     |     |           |     |    | 199   |     |           |     |    |     |
|                        | 100L  |     |     |     | 1120 |      |     |    |     |     |     |           |     |    | 196   |     |           |     |    |     |
|                        | 112M  |     |     |     | 1140 | 1120 | 740 |    | 190 |     |     |           |     |    | 208   |     |           |     |    |     |
|                        | 132S  |     |     |     | 1215 | 1250 | 840 |    | 205 |     |     |           |     |    | 233   |     |           |     |    |     |
|                        | 160M  |     |     |     | 1340 |      |     |    |     |     |     |           |     |    | 279   |     |           |     |    |     |
|                        | 160L  |     |     |     | 1385 |      |     |    |     |     |     |           |     |    | 301   |     |           |     |    |     |
|                        | 200L  |     |     |     | 1515 | 1400 | 940 |    | 230 |     |     |           |     |    | 440   | 400 | 4-M16×220 | 170 |    | 451 |
| HCZ40-160<br>ANSI150RF | 90S   | 100 | 132 | 160 | 915  | 900  | 600 |    | 150 | 390 | 350 | 4-M12×220 | 125 | 75 | 122   |     |           |     |    |     |
|                        | 90L   |     |     |     | 940  |      |     |    |     |     |     |           |     |    | 125   |     |           |     |    |     |
|                        | 100L  |     |     |     | 985  |      |     |    |     |     |     |           |     |    | 133   |     |           |     |    |     |
|                        | 112M  |     |     |     | 1005 | 145  |     |    |     |     |     |           |     |    |       |     |           |     |    |     |
|                        | 132S  |     |     |     | 1080 | 1000 | 660 |    | 170 |     |     |           |     |    | 184   |     |           |     |    |     |
|                        | 160M  |     |     |     | 1205 | 1120 | 740 |    | 190 |     |     |           |     |    | 246   |     |           |     |    |     |
| HCZ40-200<br>ANSI150RF | 90S   | 100 | 160 | 180 | 935  | 900  | 600 |    | 150 | 390 | 350 | 4-M12×220 | 125 | 75 | 143   |     |           |     |    |     |
|                        | 90L   |     |     |     | 960  |      |     |    |     |     |     |           |     |    | 146   |     |           |     |    |     |
|                        | 100L  |     |     |     | 1005 |      |     |    |     |     |     |           |     |    | 154   |     |           |     |    |     |
|                        | 112M  |     |     |     | 1025 | 166  |     |    |     |     |     |           |     |    |       |     |           |     |    |     |
|                        | 132S  |     |     |     | 1100 | 1000 | 660 |    | 170 |     |     |           |     |    | 199   |     |           |     |    |     |
|                        | 160M  |     |     |     | 1225 | 1120 | 740 |    | 190 |     |     |           |     |    | 286   |     |           |     |    |     |
| HCZ40-250<br>ANSI150RF | 90S   | 100 | 180 | 225 | 1050 | 1000 | 660 |    | 170 | 390 | 350 | 4-M12×220 | 125 | 90 | 195   |     |           |     |    |     |
|                        | 90L   |     |     |     | 1070 |      |     |    |     |     |     |           |     |    | 198   |     |           |     |    |     |
|                        | 100L  |     |     |     | 1120 |      |     |    |     |     |     |           |     |    | 194   |     |           |     |    |     |
|                        | 112M  |     |     |     | 1140 | 1120 | 740 |    | 190 |     |     |           |     |    | 206   |     |           |     |    |     |
|                        | 132S  |     |     |     | 1215 | 1250 | 840 |    | 205 |     |     |           |     |    | 231   |     |           |     |    |     |
|                        | 160M  |     |     |     | 1340 |      |     |    |     |     |     |           |     |    | 282   |     |           |     |    |     |
|                        | 160L  |     |     |     | 1385 |      |     |    |     |     |     |           |     |    | 304   |     |           |     |    |     |
|                        | 180M  |     |     |     | 1410 | 1400 | 940 |    | 230 |     |     |           |     |    |       | 140 | 100       | 343 |    |     |
|                        | 200L  |     |     |     | 1515 | 1400 | 940 |    | 230 |     |     |           |     |    | 440   | 400 | 4-M12×220 | 170 | 90 | 449 |
|                        | 225M  |     |     |     | 1555 |      |     |    |     |     |     |           |     |    |       |     |           |     |    | 518 |

| 泵型号                    | 电机机座号 | a   | h   | h1  | L    | L1   | L2   | L3  | L4   | B   | B1         | n-Md × 1  | H   | i         | 质(重)量     |     |           |           |     |     |
|------------------------|-------|-----|-----|-----|------|------|------|-----|------|-----|------------|-----------|-----|-----------|-----------|-----|-----------|-----------|-----|-----|
| HCZ40-315<br>ANSI150RF | 112M  | 125 | 200 | 250 | 1165 | 1120 | 740  | 530 | 190  | 390 | 350        | 4-M12×220 | 125 | 90        | 235       |     |           |           |     |     |
|                        | 132S  |     |     |     | 1240 |      |      |     |      |     |            |           |     |           | 260       |     |           |           |     |     |
|                        | 160M  |     |     |     | 1365 |      |      |     |      |     |            |           |     |           | 311       |     |           |           |     |     |
|                        | 160L  |     |     |     | 1410 | 333  |      |     |      |     |            |           |     |           |           |     |           |           |     |     |
|                        | 180M  |     |     |     | 1250 | 840  | 1435 |     | 1400 | 940 | 230        | 440       | 400 | 4-M16×220 | 140       | 100 | 371       |           |     |     |
|                        | 200L  |     |     |     |      |      | 1540 |     |      |     |            |           |     |           |           |     | 473       |           |     |     |
|                        | 225M  |     |     |     |      |      | 1580 |     |      |     |            |           |     |           |           |     | 547       |           |     |     |
|                        | 250M  |     |     |     |      |      | 1695 |     |      |     |            |           |     |           |           |     | 1600      | 1060      | 270 | 600 |
| HCZ50-160<br>ANSI150RF | 90S   | 100 | 160 | 180 | 935  | 900  | 600  | 150 | 390  | 350 | 4-M12×220  | 125       | 75  | 137       |           |     |           |           |     |     |
|                        | 90L   |     |     |     | 960  |      |      |     |      |     |            |           |     | 140       |           |     |           |           |     |     |
|                        | 100L  |     |     |     | 1005 |      |      |     |      |     |            |           |     | 148       |           |     |           |           |     |     |
|                        | 112M  |     |     |     | 1025 | 160  |      |     |      |     |            |           |     |           |           |     |           |           |     |     |
|                        | 132S  |     |     |     | 1100 | 1000 | 660  |     |      |     |            |           |     | 170       | 193       |     |           |           |     |     |
|                        | 160M  |     |     |     | 1225 | 1120 | 740  |     |      |     |            |           |     | 190       | 249       |     |           |           |     |     |
| HCZ50-200<br>ANSI150RF | 90S   | 100 | 160 | 200 | 935  | 900  | 600  | 150 | 390  | 350 | 4-M122×220 | 125       | 75  | 143       |           |     |           |           |     |     |
|                        | 90L   |     |     |     | 960  |      |      |     |      |     |            |           |     | 146       |           |     |           |           |     |     |
|                        | 100L  |     |     |     | 1005 |      |      |     |      |     |            |           |     | 154       |           |     |           |           |     |     |
|                        | 112M  |     |     |     | 1025 | 166  |      |     |      |     |            |           |     |           |           |     |           |           |     |     |
|                        | 132S  |     |     |     | 1100 | 1000 | 660  |     |      |     |            |           |     | 170       | 199       |     |           |           |     |     |
|                        | 160M  |     |     |     | 1225 | 1120 | 740  |     |      |     |            |           |     | 190       | 255       |     |           |           |     |     |
|                        | 160L  |     |     |     | 1270 | 1250 | 640  |     |      |     |            |           |     | 205       | 277       |     |           |           |     |     |
|                        | 180M  |     |     |     | 1295 | 1250 | 640  |     |      |     |            |           |     | 205       | 310       |     |           |           |     |     |
| HCZ50-250<br>ANSI150RF | 90S   | 125 | 180 | 225 | 1075 | 1000 | 660  | 170 | 390  | 350 | 4-M12×220  | 125       | 90  | 197       |           |     |           |           |     |     |
|                        | 90L   |     |     |     | 1100 |      |      |     |      |     |            |           |     | 200       |           |     |           |           |     |     |
|                        | 100L  |     |     |     | 1140 | 208  |      |     |      |     |            |           |     |           |           |     |           |           |     |     |
|                        | 112M  |     |     |     | 1165 | 1120 | 740  |     |      |     |            |           |     | 190       | 220       |     |           |           |     |     |
|                        | 132S  |     |     |     | 1245 | 1250 | 840  |     |      |     |            |           |     | 205       | 245       |     |           |           |     |     |
|                        | 160M  |     |     |     | 1365 | 1250 | 840  |     |      |     |            |           |     | 205       | 290       |     |           |           |     |     |
|                        | 160L  |     |     |     | 1410 | 1435 | 140  |     |      |     |            |           |     | 100       | 345       |     |           |           |     |     |
|                        | 180M  |     |     |     | 1435 | 140  | 100  |     |      |     |            |           |     | 345       |           |     |           |           |     |     |
|                        | 200L  |     |     |     | 1540 | 1400 | 940  |     |      |     |            |           |     | 230       | 440       | 400 | 4-M16×220 | 170       | 90  | 452 |
|                        | 225M  |     |     |     | 1580 | 1580 | 440  |     |      |     |            |           |     | 400       | 4-M16×220 | 170 | 90        | 521       |     |     |
| HCZ50-315<br>ANSI150RF | 132S  | 125 | 225 | 280 | 1245 | 1120 | 740  | 190 | 390  | 350 | 4-M12×220  | 125       | 90  | 265       |           |     |           |           |     |     |
|                        | 160M  |     |     |     | 1365 |      |      |     |      |     |            |           |     | 1250      | 840       | 205 | 320       |           |     |     |
|                        | 160L  |     |     |     | 1410 | 342  |      |     |      |     |            |           |     |           |           |     |           |           |     |     |
|                        | 180M  |     |     |     | 1435 | 140  | 100  |     |      |     |            |           |     | 375       |           |     |           |           |     |     |
|                        | 200L  |     |     |     | 1540 | 1400 | 940  |     |      |     |            |           |     | 230       | 440       | 400 | 4-M16×220 | 170       | 90  | 489 |
|                        | 225M  |     |     |     | 1580 | 530  | 490  |     |      |     |            |           |     | 547       |           |     |           |           |     |     |
|                        | 250M  |     |     |     | 1690 | 600  | 550  |     |      |     |            |           |     | 190       | 90        | 779 |           |           |     |     |
|                        | 280S  |     |     |     | 1765 | 1600 | 1060 |     |      |     |            |           |     | 530       | 270       | 650 | 600       | 6-M16×220 | 320 | 880 |
|                        | 280M  |     |     |     | 1815 | 1815 | 650  |     |      |     |            |           |     | 600       | 6-M16×220 | 320 | 956       |           |     |     |

江苏精伦泵业制造有限公司

| 泵型号                    | 电机机座号                  | a    | h    | h1   | L    | L1   | L2   | L3   | L4        | B         | B1  | n-Md × 1  | H    | i   | 质(重)量     |           |     |           |     |     |     |
|------------------------|------------------------|------|------|------|------|------|------|------|-----------|-----------|-----|-----------|------|-----|-----------|-----------|-----|-----------|-----|-----|-----|
| HCZ65-160<br>ANSI150RF | 90S                    | 100  | 160  | 200  | 1050 | 1000 | 660  |      | 170       | 390       | 350 | 4-M12×220 | 125  | 90  | 182       |           |     |           |     |     |     |
|                        | 90L                    |      |      |      | 1070 |      |      |      |           |           |     |           |      |     | 185       |           |     |           |     |     |     |
|                        | 100L                   |      |      |      | 1120 |      |      |      |           |           |     |           |      |     | 183       |           |     |           |     |     |     |
|                        | 112M                   |      |      |      | 1140 | 1120 | 740  |      | 190       |           |     |           |      |     | 195       |           |     |           |     |     |     |
|                        | 132S                   |      |      |      | 1215 |      |      |      |           |           |     |           |      |     | 220       |           |     |           |     |     |     |
|                        | 160M                   |      |      |      | 1340 | 1250 | 840  |      | 205       |           |     |           |      |     | 275       |           |     |           |     |     |     |
|                        | 160L                   |      |      |      | 1385 |      |      |      |           |           |     |           |      |     | 295       |           |     |           |     |     |     |
|                        | 180M                   |      |      |      | 1410 | 1400 | 940  |      | 230       |           |     |           |      |     | 4-M16×220 | 170       | 100 | 330       |     |     |     |
| HCZ65-200<br>ANSI150RF | 90S                    | 100  | 180  | 225  | 1050 | 1000 | 660  |      | 170       | 390       | 350 | 4-M12×220 | 125  | 90  | 194       |           |     |           |     |     |     |
|                        | 90L                    |      |      |      | 1070 |      |      |      |           |           |     |           |      |     | 197       |           |     |           |     |     |     |
|                        | 100L                   |      |      |      | 1120 |      |      |      |           |           |     |           |      |     | 205       |           |     |           |     |     |     |
|                        | 112M                   |      |      |      | 1140 | 1120 | 740  |      | 190       |           |     |           |      |     | 217       |           |     |           |     |     |     |
|                        | 132S                   |      |      |      | 1215 |      |      |      |           |           |     |           |      |     | 242       |           |     |           |     |     |     |
|                        | 160M                   |      |      |      | 1340 | 1250 | 840  |      | 205       |           |     |           |      |     | 287       |           |     |           |     |     |     |
|                        | 160L                   |      |      |      | 1385 |      |      |      |           |           |     |           |      |     | 309       |           |     |           |     |     |     |
|                        | 180M                   |      |      |      | 1410 | 1400 | 940  |      | 230       |           |     |           |      |     | 4-M16×220 | 140       | 100 | 342       |     |     |     |
|                        | 200L                   |      |      |      | 1515 |      |      |      |           |           |     |           |      |     |           | 170       | 90  | 449       |     |     |     |
| HCZ65-250<br>ANSI150RF | 112M                   | 125  | 200  | 250  | 1165 | 1120 | 740  |      | 190       | 390       | 350 | 4-M12×220 | 135  | 105 | 219       |           |     |           |     |     |     |
|                        | 132S                   |      |      |      | 1245 |      |      |      |           |           |     |           |      |     | 244       |           |     |           |     |     |     |
|                        | 160M                   |      |      |      | 1365 |      |      |      |           |           |     |           |      |     | 1250      | 840       | 205 | 299       |     |     |     |
|                        | 160L                   |      |      |      | 1410 | 321  |      |      |           |           |     |           |      |     |           |           |     |           |     |     |     |
|                        | 180M                   |      |      |      | 1435 | 1400 | 940  |      | 230       |           |     |           |      |     | 4-M16×220 | 140       |     |           |     |     |     |
|                        | 200L                   |      |      |      | 1540 |      |      |      |           |           |     |           |      |     |           | 440       | 400 | 461       |     |     |     |
|                        | 225M                   |      |      |      | 1580 |      |      |      |           |           |     |           |      |     |           | 530       | 490 | 170       | 530 |     |     |
|                        | 250M                   |      |      |      | 1695 | 1600 | 1060 |      | 530       |           |     |           |      |     | 270       | 600       | 550 | 6-M16×220 | 230 | 761 |     |
|                        | HCZ65-315<br>ANSI150RF |      |      |      | 132S | 125  | 225  |      | 280       |           |     |           |      |     | 1270      | 1250      | 840 |           | 205 | 440 | 400 |
| 160M                   |                        | 1395 | 1400 | 940  | 530  |      |      | 230  |           | 4-M16×220 | 140 | 406       |      |     |           |           |     |           |     |     |     |
| 160L                   |                        | 1440 |      |      |      |      |      |      |           |           |     | 428       |      |     |           |           |     |           |     |     |     |
| 180M                   |                        | 1465 |      |      |      |      |      |      |           |           |     | 1600      | 1060 | 530 | 270       | 6-M16×220 | 230 |           | 461 |     |     |
| 200L                   |                        | 1570 | 170  | 521  |      |      |      |      |           |           |     |           |      |     |           |           |     |           |     |     |     |
| 225M                   |                        | 1610 | 1600 | 1060 | 530  |      |      | 270  |           | 530       | 490 | 617       |      |     |           |           |     |           |     |     |     |
| 250M                   |                        | 1725 |      |      |      |      |      |      |           | 600       | 550 | 190       | 813  |     |           |           |     |           |     |     |     |
| 280S                   |                        | 1795 |      |      |      |      |      |      |           | 650       | 600 | 230       | 913  |     |           |           |     |           |     |     |     |
| 280M                   |                        | 1845 | 1800 | 1200 | 600  |      |      | 300  |           | 720       | 670 | 6-M16×220 | 250  | 195 | 989       |           |     |           |     |     |     |
| 315S                   |                        | 1980 |      |      |      |      |      |      |           |           |     |           |      |     | 1538      |           |     |           |     |     |     |
| 315M                   |                        | 2035 |      |      |      |      |      |      |           |           |     |           |      |     | 1718      |           |     |           |     |     |     |
| HCZ80-160<br>ANSI150RF |                        | 90S  | 125  | 180  | 225  |      |      | 1075 |           | 1000      | 660 |           | 170  | 390 | 350       | 4-M12×220 | 125 |           | 90  |     |     |
|                        | 90L                    | 1100 |      |      |      | 194  |      |      |           |           |     |           |      |     |           |           |     |           |     |     |     |
|                        | 100L                   | 1140 |      |      |      | 192  |      |      |           |           |     |           |      |     |           |           |     |           |     |     |     |
|                        | 112M                   | 1165 |      |      |      | 1120 | 740  | 190  | 204       |           |     |           |      |     |           |           |     |           |     |     |     |
|                        | 132S                   | 1245 |      |      |      |      |      |      | 229       |           |     |           |      |     |           |           |     |           |     |     |     |
|                        | 160M                   | 1365 |      |      |      | 1250 | 840  | 205  | 284       |           |     |           |      |     |           |           |     |           |     |     |     |
|                        | 160L                   | 1410 |      |      |      |      |      |      | 306       |           |     |           |      |     |           |           |     |           |     |     |     |
|                        | 180M                   | 1435 |      |      |      | 1400 | 940  | 230  | 4-M16×220 | 140       | 100 |           | 339  |     |           |           |     |           |     |     |     |
|                        | 200L                   | 1540 |      |      |      |      |      |      |           | 170       | 105 |           | 446  |     |           |           |     |           |     |     |     |



| 泵型号                     | 电机机座号                   | a    | h    | h1   | L    | L1   | L2   | L3  | L4  | B   | B1  | n-Md × 1  | H   | i         | 质(重)量 |      |     |           |     |     |           |           |     |     |     |     |     |     |  |  |  |  |     |
|-------------------------|-------------------------|------|------|------|------|------|------|-----|-----|-----|-----|-----------|-----|-----------|-------|------|-----|-----------|-----|-----|-----------|-----------|-----|-----|-----|-----|-----|-----|--|--|--|--|-----|
| HCZ80-200<br>ANSI150RF  | 90S                     | 125  | 180  | 250  | 1075 | 1000 | 660  |     | 170 | 390 | 350 | 4-M12×220 | 125 | 90        | 197   |      |     |           |     |     |           |           |     |     |     |     |     |     |  |  |  |  |     |
|                         | 90L                     |      |      |      | 1100 |      |      |     |     |     |     |           |     |           | 200   |      |     |           |     |     |           |           |     |     |     |     |     |     |  |  |  |  |     |
|                         | 100L                    |      |      |      | 1140 |      |      |     |     |     |     |           |     |           | 208   |      |     |           |     |     |           |           |     |     |     |     |     |     |  |  |  |  |     |
|                         | 112M                    |      |      |      | 1165 | 740  | 190  |     |     |     |     |           |     |           |       |      |     |           |     |     |           |           |     | 220 |     |     |     |     |  |  |  |  |     |
|                         | 132S                    |      |      |      | 1245 | 245  |      |     |     |     |     |           |     |           |       |      |     |           |     |     |           |           |     |     |     |     |     |     |  |  |  |  |     |
|                         | 160M                    |      |      |      | 1365 | 740  |      |     |     |     |     |           |     |           |       |      |     |           |     |     |           |           |     | 205 |     |     |     |     |  |  |  |  |     |
|                         | 160L                    |      |      |      | 1410 | 312  |      |     |     |     |     |           |     |           |       |      |     |           |     |     |           |           |     |     |     |     |     |     |  |  |  |  |     |
|                         | 180M                    |      |      |      | 1435 | 345  |      |     |     |     |     |           |     |           |       |      |     |           |     |     |           |           |     |     |     |     |     |     |  |  |  |  |     |
|                         | 200L                    |      |      |      | 1540 | 1400 | 940  |     | 230 |     |     |           |     |           |       |      |     |           | 440 | 400 | 4-M16×220 | 140       | 100 | 345 |     |     |     |     |  |  |  |  |     |
|                         | 225M                    |      |      |      | 1580 | 452  |      |     |     |     |     |           |     |           |       |      |     |           |     |     |           |           |     |     |     |     |     |     |  |  |  |  |     |
|                         |                         | 521  |      |      |      |      |      |     |     |     |     |           |     |           |       |      |     |           |     |     |           |           |     |     |     |     |     |     |  |  |  |  |     |
| HCZ80-250               | 132S                    | 125  | 225  | 280  | 1245 | 1120 | 740  |     | 190 | 440 | 400 | 4-M12×220 | 125 | 105       | 256   |      |     |           |     |     |           |           |     |     |     |     |     |     |  |  |  |  |     |
|                         | 160M                    |      |      |      | 1365 | 1250 | 740  |     |     |     |     |           |     |           | 205   |      |     |           |     |     |           |           |     | 314 |     |     |     |     |  |  |  |  |     |
|                         | 160L                    |      |      |      | 1410 | 335  |      |     |     |     |     |           |     |           |       |      |     |           |     |     |           |           |     |     |     |     |     |     |  |  |  |  |     |
|                         | 180M                    |      |      |      | 1435 | 412  |      |     |     |     |     |           |     |           |       |      |     |           |     |     |           |           |     |     |     |     |     |     |  |  |  |  |     |
|                         | 200L                    |      |      |      | 1540 | 1400 | 940  |     | 230 |     |     |           |     |           |       |      |     |           |     |     | 4-M16×220 | 140       |     | 472 |     |     |     |     |  |  |  |  |     |
|                         | 225M                    |      |      |      | 1580 | 534  |      |     |     |     |     |           |     |           |       |      |     |           |     |     |           |           |     |     |     |     |     |     |  |  |  |  |     |
|                         | 250M                    |      |      |      | 1695 | 600  | 550  |     |     |     |     |           |     |           |       |      |     |           |     |     |           |           |     | 190 |     |     |     |     |  |  |  |  | 765 |
|                         | 280S                    |      |      |      | 1765 | 1600 | 1060 |     | 530 |     |     |           |     |           | 270   | 650  | 600 | 6-M16×220 | 230 | 190 | 867       |           |     |     |     |     |     |     |  |  |  |  |     |
|                         | 280M                    |      |      |      | 1815 | 943  |      |     |     |     |     |           |     |           |       |      |     |           |     |     |           |           |     |     |     |     |     |     |  |  |  |  |     |
|                         | HCZ80-315<br>ANSI150RF  |      |      |      | 132S | 125  | 250  |     | 315 |     |     |           |     |           | 1270  | 1250 | 840 |           | 205 | 440 | 400       | 4-M12×220 | 125 | 105 | 340 |     |     |     |  |  |  |  |     |
| 160M                    |                         | 1395 | 1400 | 940  | 230  |      |      |     |     |     |     |           |     |           |       |      |     |           |     |     |           |           |     |     | 409 |     |     |     |  |  |  |  |     |
| 160L                    |                         | 1440 |      |      |      |      |      |     |     |     |     |           |     |           |       |      |     |           |     |     |           |           |     |     | 431 |     |     |     |  |  |  |  |     |
| 180M                    |                         | 1465 |      |      |      |      |      |     |     |     |     |           |     |           |       |      |     |           | 464 |     |           |           |     |     |     |     |     |     |  |  |  |  |     |
| 200L                    |                         | 1570 | 1600 | 1060 | 530  |      |      | 270 |     | 530 | 490 | 600       | 550 | 6-M16×220 | 230   |      |     |           |     |     |           |           |     |     | 524 |     |     |     |  |  |  |  |     |
| 225M                    |                         | 1610 |      |      |      |      |      |     |     |     |     |           |     |           |       |      |     |           |     |     |           |           |     |     | 629 |     |     |     |  |  |  |  |     |
| 250M                    |                         | 1725 |      |      |      |      |      |     |     |     |     |           |     |           |       |      |     |           |     |     |           |           |     |     | 600 | 550 | 190 | 814 |  |  |  |  |     |
| 280S                    |                         | 1795 | 1800 | 1200 | 600  |      |      | 300 |     | 720 | 670 | 230       | 195 | 1534      |       |      |     |           |     |     |           |           |     |     |     |     |     |     |  |  |  |  |     |
| 280M                    |                         | 1845 | 1005 |      |      |      |      |     |     |     |     |           |     |           |       |      |     |           |     |     |           |           |     |     |     |     |     |     |  |  |  |  |     |
| 315S                    |                         | 1985 | 1714 |      |      |      |      |     |     |     |     |           |     |           |       |      |     |           |     |     |           |           |     |     |     |     |     |     |  |  |  |  |     |
| 315M                    | 2035                    |      |      |      |      |      |      |     |     |     |     |           |     |           |       |      |     |           |     |     |           |           |     |     |     |     |     |     |  |  |  |  |     |
| HCZ80-400<br>ANSI150RF  | 132S                    | 125  | 280  | 355  | 1270 | 1400 | 940  |     | 230 | 530 | 490 | 4-M16×220 | 140 | 105       | 454   |      |     |           |     |     |           |           |     |     |     |     |     |     |  |  |  |  |     |
|                         | 160M                    |      |      |      | 1395 |      |      |     |     |     |     |           |     |           | 489   |      |     |           |     |     |           |           |     |     |     |     |     |     |  |  |  |  |     |
|                         | 160L                    |      |      |      | 1440 |      |      |     |     |     |     |           |     |           | 510   |      |     |           |     |     |           |           |     |     |     |     |     |     |  |  |  |  |     |
|                         | 180M                    |      |      |      | 1465 |      |      |     |     |     |     |           |     |           | 546   |      |     |           |     |     |           |           |     |     |     |     |     |     |  |  |  |  |     |
|                         | 200L                    |      |      |      | 1570 |      |      |     |     |     |     |           |     |           | 629   |      |     |           |     |     |           |           |     |     |     |     |     |     |  |  |  |  |     |
|                         | 225M                    |      |      |      | 1615 |      |      |     |     |     |     |           |     |           | 1600  | 1060 | 530 | 270       | 530 | 490 | 6-M16×220 | 170       | 657 |     |     |     |     |     |  |  |  |  |     |
| HCZ100-200              | 132S                    | 125  | 200  | 280  | 1240 | 1120 | 740  |     | 190 | 390 | 350 | 4-M12×220 | 125 | 105       | 245   |      |     |           |     |     |           |           |     |     |     |     |     |     |  |  |  |  |     |
|                         | 160M                    |      |      |      | 1365 | 1250 | 840  |     |     |     |     |           |     |           | 205   |      |     |           |     |     |           |           |     | 297 |     |     |     |     |  |  |  |  |     |
|                         | 160L                    |      |      |      | 1410 | 318  |      |     |     |     |     |           |     |           |       |      |     |           |     |     |           |           |     |     |     |     |     |     |  |  |  |  |     |
|                         | 180M                    |      |      |      | 1435 | 422  |      |     |     |     |     |           |     |           |       |      |     |           |     |     |           |           |     |     |     |     |     |     |  |  |  |  |     |
|                         | 200L                    |      |      |      | 1540 | 1400 | 940  |     | 230 |     |     |           |     |           |       |      |     |           | 440 | 400 | 4-M16×220 | 140       |     | 476 |     |     |     |     |  |  |  |  |     |
|                         | 225M                    |      |      |      | 1580 | 530  | 490  |     |     |     |     |           |     |           |       |      |     |           |     |     |           |           |     | 170 |     |     |     |     |  |  |  |  | 535 |
|                         | 250M                    |      |      |      | 1695 | 600  | 550  |     |     |     |     |           |     |           |       |      |     |           |     |     |           |           |     |     |     |     |     |     |  |  |  |  | 230 |
|                         | 280S                    |      |      |      | 1765 | 1600 | 1060 |     | 530 |     |     |           |     |           | 270   | 650  | 600 | 6-M16×220 | 250 | 869 |           |           |     |     |     |     |     |     |  |  |  |  |     |
|                         | 280M                    |      |      |      | 1815 | 945  |      |     |     |     |     |           |     |           |       |      |     |           |     |     |           |           |     |     |     |     |     |     |  |  |  |  |     |
|                         | HCZ100-250<br>ANSI150RF |      |      |      | 132S | 140  | 225  |     | 280 |     |     |           |     |           | 1285  | 1250 | 840 |           | 205 | 440 | 400       | 4-M12×220 | 125 | 105 | 303 |     |     |     |  |  |  |  |     |
| 160M                    |                         | 1410 | 1400 | 940  | 230  |      |      |     |     |     |     |           |     |           |       |      |     |           |     |     |           |           |     |     | 388 |     |     |     |  |  |  |  |     |
| 160L                    |                         | 1455 |      |      |      |      |      |     |     |     |     |           |     |           |       |      |     |           |     |     |           |           |     |     | 409 |     |     |     |  |  |  |  |     |
| 180M                    |                         | 1480 |      |      |      |      |      |     |     |     |     |           |     |           |       |      |     |           | 451 |     |           |           |     |     |     |     |     |     |  |  |  |  |     |
| 200L                    |                         | 1585 | 1600 | 1060 | 530  |      |      | 270 |     | 530 | 490 | 600       | 550 | 6-M16×220 | 230   |      |     |           |     |     |           |           |     |     | 534 |     |     |     |  |  |  |  |     |
| 225M                    |                         | 1625 |      |      |      |      |      |     |     |     |     |           |     |           |       |      |     |           |     |     |           |           |     |     | 599 |     |     |     |  |  |  |  |     |
| 250M                    |                         | 1740 |      |      |      |      |      |     |     |     |     |           |     |           |       |      |     |           |     |     |           |           |     |     | 600 | 550 | 190 | 795 |  |  |  |  |     |
| 280S                    |                         | 1810 | 1800 | 1200 | 600  |      |      | 300 |     | 720 | 670 | 230       | 195 | 1520      |       |      |     |           |     |     |           |           |     |     |     |     |     |     |  |  |  |  |     |
| 280M                    |                         | 1860 | 1700 |      |      |      |      |     |     |     |     |           |     |           |       |      |     |           |     |     |           |           |     |     |     |     |     |     |  |  |  |  |     |
| 315S                    |                         | 2000 |      |      |      |      |      |     |     |     |     |           |     |           |       |      |     |           |     |     |           |           |     |     |     |     |     |     |  |  |  |  |     |
| 315M                    | 2050                    |      |      |      |      |      |      |     |     |     |     |           |     |           |       |      |     |           |     |     |           |           |     |     |     |     |     |     |  |  |  |  |     |
| HCZ100-315<br>ANSI150RF | 132S                    | 140  | 250  | 315  | 1285 | 1250 | 840  |     | 205 | 440 | 400 | 4-M12×220 | 125 | 105       | 334   |      |     |           |     |     |           |           |     |     |     |     |     |     |  |  |  |  |     |
|                         | 160M                    |      |      |      | 1410 | 1400 | 940  |     |     |     |     |           |     |           | 230   |      |     |           |     |     |           |           |     | 424 |     |     |     |     |  |  |  |  |     |
|                         | 160L                    |      |      |      | 1455 |      |      |     | 445 |     |     |           |     |           |       |      |     |           |     |     |           |           |     |     |     |     |     |     |  |  |  |  |     |
|                         | 180M                    |      |      |      | 1480 | 481  |      |     |     |     |     |           |     |           |       |      |     |           |     |     |           |           |     |     |     |     |     |     |  |  |  |  |     |

| 泵型号                     | 电机机座                    | a    | h    | h1   | L    | L1   | L2   | L3  | L4   | B         | B1   | n-Md × 1  | H    | i   | 质(重) |           |     |     |           |
|-------------------------|-------------------------|------|------|------|------|------|------|-----|------|-----------|------|-----------|------|-----|------|-----------|-----|-----|-----------|
| HCZ100-315<br>ANSI150RF | 200L                    | 140  | 250  | 315  | 1585 | 1600 | 1060 | 530 | 270  | 440       | 400  | 4-M16×220 | 170  | 105 | 572  |           |     |     |           |
|                         | 225M                    |      |      |      | 1625 |      |      |     |      |           |      |           |      |     | 530  | 490       | 636 |     |           |
|                         | 250M                    |      |      |      | 1740 |      |      |     |      |           |      |           |      |     | 600  | 550       | 849 |     |           |
|                         | 280S                    |      |      |      | 1810 |      |      |     |      |           |      |           | 650  |     | 600  | 933       |     |     |           |
|                         | 280L                    |      |      |      | 1860 | 1800 | 1200 | 600 | 300  | 720       | 670  | 6-M16×220 | 230  |     | 1009 |           |     |     |           |
|                         | 315S                    |      |      |      | 2000 |      |      |     |      |           |      |           | 230  |     | 1541 |           |     |     |           |
|                         | 315M                    |      |      |      | 2050 |      |      |     |      |           |      |           | 230  |     | 1721 |           |     |     |           |
| HCZ100-400<br>ANSI150RF | 160M                    | 140  | 280  | 355  | 1410 | 1400 | 940  |     | 230  | 530       | 490  | 4-M16×220 | 140  | 125 | 495  |           |     |     |           |
|                         | 160L                    |      |      |      | 1455 |      |      |     |      |           |      |           |      |     | 1480 | 516       |     |     |           |
|                         | 180M                    |      |      |      | 1480 |      |      |     |      |           |      |           |      |     | 1600 | 1060      | 530 | 270 | 6-M16×220 |
|                         | 200L                    |      |      |      | 1585 | 170  | 653  |     |      |           |      |           |      |     |      |           |     |     |           |
|                         | 225M                    |      |      |      | 1655 | 170  | 667  |     |      |           |      |           |      |     |      |           |     |     |           |
| HCZ125-250<br>ANSI150RF | 132S                    | 140  | 250  | 355  | 1285 | 1400 | 940  |     | 205  | 440       | 400  | 4-M12×220 | 125  | 105 | 323  |           |     |     |           |
|                         | 160M                    |      |      |      | 1410 |      |      |     |      |           |      |           |      |     | 230  | 413       |     |     |           |
|                         | 160L                    |      |      |      | 1455 |      |      |     |      |           |      |           |      |     | 1600 | 1060      | 530 | 270 | 4-M16×220 |
|                         | 180M                    |      |      |      | 1480 | 140  | 472  |     |      |           |      |           |      |     |      |           |     |     |           |
|                         | 180L                    |      |      |      | 1520 | 140  | 480  |     |      |           |      |           |      |     |      |           |     |     |           |
| HCZ125-315<br>ANSI150RF | 160M                    | 140  | 280  | 355  | 1410 | 1400 | 940  |     | 230  | 530       | 490  | 4-M16×220 | 140  | 125 | 469  |           |     |     |           |
|                         | 160L                    |      |      |      | 1455 |      |      |     |      |           |      |           |      |     | 1480 | 490       |     |     |           |
|                         | 180M                    |      |      |      | 1480 |      |      |     |      |           |      |           |      |     | 1600 | 1060      | 530 | 270 | 6-M16×220 |
|                         | 200L                    |      |      |      | 1585 | 627  |      |     |      |           |      |           |      |     |      |           |     |     |           |
|                         | 225S                    |      |      |      | 1630 | 637  |      |     |      |           |      |           |      |     |      |           |     |     |           |
|                         | 225M                    |      |      |      | 1655 | 673  |      |     |      |           |      |           |      |     |      |           |     |     |           |
| HCZ125-400<br>ANSI150RF | 160M                    | 140  | 315  | 400  | 1410 | 1400 | 940  |     | 230  | 530       | 490  | 4-M16×220 | 140  | 125 | 514  |           |     |     |           |
|                         | 160L                    |      |      |      | 1455 |      |      |     |      |           |      |           |      |     | 1480 | 535       |     |     |           |
|                         | 180M                    |      |      |      | 1480 |      |      |     |      |           |      |           |      |     | 1600 | 1060      | 530 | 270 | 6-M16×220 |
|                         | 200L                    |      |      |      | 1585 | 170  | 692  |     |      |           |      |           |      |     |      |           |     |     |           |
|                         | 225S                    |      |      |      | 1630 | 190  | 719  |     |      |           |      |           |      |     |      |           |     |     |           |
|                         | 225M                    |      |      |      | 1655 | 230  | 798  |     |      |           |      |           |      |     |      |           |     |     |           |
|                         | 250M                    |      |      |      | 1740 | 600  | 550  | 600 | 650  |           |      |           |      |     | 600  | 6-M16×220 | 907 |     |           |
|                         | 280S                    |      |      |      | 1810 |      |      |     |      |           |      |           |      |     |      |           | 998 |     |           |
|                         |                         |      |      |      |      |      |      |     |      |           |      |           |      |     |      |           |     |     |           |
| HCZ150-250<br>ANSI150RF | 132S                    | 160  | 280  | 375  | 1345 | 1400 | 940  |     | 230  | 650       | 600  | 4-M16×220 | 160  | 125 | 438  |           |     |     |           |
|                         | 132M                    |      |      |      | 1386 |      |      |     |      |           |      |           |      |     | 1470 | 451       |     |     |           |
|                         | 160M                    |      |      |      | 1470 |      |      |     |      |           |      |           |      |     | 1600 | 1060      | 530 | 270 | 6-M16×220 |
|                         | 160L                    |      |      |      | 1515 | 558  |      |     |      |           |      |           |      |     |      |           |     |     |           |
|                         | 180M                    |      |      |      | 1540 | 591  |      |     |      |           |      |           |      |     |      |           |     |     |           |
|                         | 180L                    |      |      |      | 1580 | 599  |      |     |      |           |      |           |      |     |      |           |     |     |           |
|                         | 200L                    |      |      |      | 1645 | 673  |      |     |      |           |      |           |      |     |      |           |     |     |           |
|                         | 225S                    |      |      |      | 1690 | 682  |      |     |      |           |      |           |      |     |      |           |     |     |           |
|                         | 225M                    |      |      |      | 1715 | 718  |      |     |      |           |      |           |      |     |      |           |     |     |           |
|                         | HCZ150-315<br>ANSI150RF |      |      |      | 160M | 160  | 315  | 400 | 1610 |           |      |           |      |     | 1800 | 1200      | 600 | 300 | 720       |
| 160L                    |                         | 1655 | 1680 | 769  |      |      |      |     |      |           |      |           |      |     |      |           |     |     |           |
| 180M                    |                         | 1680 | 1800 | 1200 | 600  |      |      |     | 300  | 6-M16×220 | 800  |           |      |     |      |           |     |     |           |
| 180L                    |                         | 1720 |      |      |      |      |      |     |      |           | 808  |           |      |     |      |           |     |     |           |
| 200L                    |                         | 1785 | 882  |      |      |      |      |     |      |           |      |           |      |     |      |           |     |     |           |
| 225S                    |                         | 1830 | 888  |      |      |      |      |     |      |           |      |           |      |     |      |           |     |     |           |
| 225M                    |                         | 1855 | 924  |      |      |      |      |     |      |           |      |           |      |     |      |           |     |     |           |
| 250M                    |                         | 1940 | 1023 |      |      |      |      |     |      |           |      |           |      |     |      |           |     |     |           |
| 280S                    |                         | 2010 | 1128 |      |      |      |      |     |      |           |      |           |      |     |      |           |     |     |           |
| HCZ150-400<br>ANSI150RF |                         | 180M | 160  | 315  | 450  |      |      |     | 1680 | 1800      | 1200 | 600       | 300  | 720 | 670  | 6-M16×220 | 160 | 125 |           |
|                         | 180L                    | 1720 |      |      |      | 1785 | 849  |     |      |           |      |           |      |     |      |           |     |     |           |
|                         | 200L                    | 1785 |      |      |      | 1800 | 1200 | 600 | 300  |           |      |           |      |     |      |           |     |     | 6-M16×220 |
|                         | 225S                    | 1830 |      |      |      |      |      |     |      | 929       |      |           |      |     |      |           |     |     |           |
|                         | 225M                    | 1855 |      |      |      | 965  |      |     |      |           |      |           |      |     |      |           |     |     |           |
|                         | 250M                    | 1940 |      |      |      | 1064 |      |     |      |           |      |           |      |     |      |           |     |     |           |
|                         | 280S                    | 2010 |      |      |      | 2000 | 1400 | 700 | 300  | 720       | 670  | 6-M16×220 | 1362 |     |      |           |     |     |           |
|                         | 280M                    | 2060 |      |      |      |      |      |     |      |           |      |           | 120  |     |      |           |     |     | 1467      |
|                         | 315S                    | 2230 |      |      |      |      |      |     |      |           |      |           | 1774 |     |      |           |     |     |           |
|                         | 315M                    | 2280 |      |      |      | 1934 |      |     |      |           |      |           |      |     |      |           |     |     |           |

| 泵型号                     | 电机机座号 | a   | h   | h1  | L    | L1   | L2   | L3  | L4  | B   | B1        | n-Md × 1  | H    | i    | 质(重)量 |           |      |
|-------------------------|-------|-----|-----|-----|------|------|------|-----|-----|-----|-----------|-----------|------|------|-------|-----------|------|
| HCZ150-500              | 180M  | 180 | 375 | 500 | 1700 | 1800 | 1200 | 600 | 300 | 720 | 670       | 6-M16×220 | 160  | 125  | 944   |           |      |
|                         | 180L  |     |     |     | 1740 |      |      |     |     |     |           |           |      |      | 950   |           |      |
|                         | 200L  |     |     |     | 1805 |      |      |     |     |     |           |           |      |      | 1025  |           |      |
|                         | 225S  |     |     |     | 1850 |      |      |     |     |     |           |           |      |      | 1036  |           |      |
|                         | 225M  |     |     |     | 1875 |      |      |     |     |     |           |           |      |      | 1072  |           |      |
| HCZ150-500              | 250M  | 180 | 375 | 500 | 1960 | 1800 | 1200 | 600 | 300 | 720 | 670       | 6-M16×220 | 160  | 125  | 1166  |           |      |
|                         | 280S  |     |     |     | 2030 |      |      |     |     |     |           |           |      | 1292 |       |           |      |
|                         | 280M  |     |     |     | 2080 | 2000 | 1400 | 700 |     |     |           |           | 190  | 210  | 1397  |           |      |
|                         | 315S  |     |     |     | 2250 |      |      |     |     |     |           |           |      |      | 1917  |           |      |
|                         | 315M  |     |     |     | 2300 |      |      |     |     |     |           |           | 2077 |      |       |           |      |
| HCZ200-250<br>ANSI150RF | 160M  | 180 | 315 | 425 | 1520 | 1400 | 940  | 650 | 270 | 600 | 4-M16×220 | 160       | 125  | 549  |       |           |      |
|                         | 160L  |     |     |     | 1565 |      |      |     |     |     |           |           |      | 570  |       |           |      |
|                         | 180M  |     |     |     | 1590 | 1600 | 1060 |     |     |     |           |           |      | 530  | 270   | 6-M16×220 | 651  |
|                         | 180L  |     |     |     | 1630 |      |      |     |     |     |           |           |      |      |       |           | 659  |
|                         | 200L  |     |     |     | 1695 |      |      |     |     |     |           |           |      |      |       |           | 841  |
|                         | 225S  |     |     |     | 1740 |      |      |     |     |     |           |           |      |      |       |           | 845  |
| HCZ200-315<br>ANSI150RF | 160M  | 200 | 355 | 450 | 1650 | 1800 | 1200 | 600 | 300 | 720 | 670       | 6-M16×220 | 160  | 125  | 828   |           |      |
|                         | 160L  |     |     |     | 1695 |      |      |     |     |     |           |           |      |      | 849   |           |      |
|                         | 180M  |     |     |     | 1720 |      |      |     |     |     |           |           |      |      | 880   |           |      |
|                         | 180L  |     |     |     | 1760 |      |      |     |     |     |           |           |      |      | 888   |           |      |
|                         | 200L  |     |     |     | 1825 |      |      |     |     |     |           |           |      |      | 962   |           |      |
|                         | 225S  |     |     |     | 1870 |      |      |     |     |     |           |           |      |      | 968   |           |      |
|                         | 225M  |     |     |     | 1895 |      |      |     |     |     |           |           |      |      | 1004  |           |      |
|                         | 250M  |     |     |     | 1980 |      |      |     |     |     |           |           |      |      | 1103  |           |      |
|                         | 280S  |     |     |     | 2050 |      |      |     |     |     |           |           |      |      | 1228  |           |      |
|                         | 280M  |     |     |     | 2100 |      |      |     |     |     |           |           |      |      | 1333  |           |      |
| HCZ200-400              | 180M  | 180 | 355 | 500 | 1720 | 1800 | 1200 | 600 | 300 | 720 | 670       | 6-M16×220 | 160  | 125  | 907   |           |      |
|                         | 180L  |     |     |     | 1760 |      |      |     |     |     |           |           |      |      | 915   |           |      |
|                         | 200L  |     |     |     | 1825 |      |      |     |     |     |           |           |      |      | 989   |           |      |
|                         | 225S  |     |     |     | 1870 |      |      |     |     |     |           |           |      |      | 995   |           |      |
|                         | 225M  |     |     |     | 1895 |      |      |     |     |     |           |           |      |      | 1031  |           |      |
|                         | 250M  |     |     |     | 1980 |      |      |     |     |     |           |           |      | 1130 |       |           |      |
|                         | 280S  |     |     |     | 2050 |      |      |     |     |     |           |           |      | 120  | 1262  |           |      |
|                         | 315M  |     |     |     | 2100 |      |      |     |     |     |           |           |      |      | 1367  |           |      |
|                         | 315S  |     |     |     | 2270 |      |      |     |     |     |           |           |      |      | 190   | 210       | 1872 |
|                         | 315M  |     |     |     | 2320 |      |      |     |     |     |           |           |      |      |       |           | 2032 |

续表

| 泵型号                      | 电机机座号 | a   | h   | h1   | L    | L1   | L2   | L3  | L4  | B   | B1        | n-Md×1    | H   | i    | 质(重)量 |
|--------------------------|-------|-----|-----|------|------|------|------|-----|-----|-----|-----------|-----------|-----|------|-------|
| HCZ200-500               | 200L  | 200 | 400 | 560  | 1875 | 1800 | 1200 | 600 | 300 | 720 | 670       | 6-M16×220 | 160 | 125  | 1123  |
|                          | 225S  |     |     |      | 1920 |      |      |     |     |     |           |           |     |      | 1129  |
|                          | 225M  |     |     |      | 1945 |      |      |     |     |     |           |           |     |      | 1165  |
|                          | 250M  |     |     |      | 2030 |      |      |     |     |     |           |           |     |      | 1269  |
|                          | 280S  |     |     |      | 2100 | 2000 | 1400 | 700 |     |     |           |           |     | 155  | 1535  |
|                          | 280M  |     |     |      | 2150 |      |      |     |     |     |           |           |     |      | 1640  |
|                          | 315S  |     |     |      | 2320 |      |      |     |     |     |           |           |     |      | 1958  |
|                          | 315M  |     |     |      | 2370 |      |      |     |     |     |           |           |     |      | 2118  |
| HCZ250-315<br>ANSI150RF  | 200L  | 250 | 400 | 560  | 1875 | 1800 | 1200 | 600 | 300 | 780 | 730       | 6-M20×400 | 200 | 155  | 1113  |
|                          | 225S  |     |     |      | 1920 |      |      |     |     |     |           |           |     |      | 1130  |
|                          | 225M  |     |     |      | 1945 |      |      |     |     |     |           |           |     |      | 1160  |
|                          | 250M  |     |     |      | 2030 |      |      |     |     |     |           |           |     |      | 1274  |
|                          | 280S  |     |     |      | 2100 | 2000 | 1400 | 700 |     |     |           |           |     | 155  | 1411  |
|                          | 280M  |     |     |      | 2150 |      |      |     |     |     |           |           |     |      | 1516  |
|                          | 315S  |     |     |      | 2320 |      |      |     |     |     |           |           |     |      | 1845  |
|                          | 315M  |     |     |      | 2370 |      |      |     |     |     |           |           |     |      | 2005  |
| HCZ250-400<br>ANSI150RF  | 225S  | 200 | 375 | 600  | 1920 | 1800 | 1200 | 600 | 300 | 870 | 820       | 6-M20×400 | 200 | 165  | 1119  |
|                          | 225M  |     |     |      | 1940 |      |      |     |     |     |           |           |     |      | 1155  |
|                          | 250M  |     |     |      | 2030 |      |      |     |     |     |           |           |     |      | 1336  |
|                          | 280S  |     |     |      | 2100 | 1464 |      |     |     |     |           |           |     |      |       |
|                          | 280M  |     |     |      | 2150 | 2000 | 1400 | 700 |     |     |           |           |     | 230  | 1569  |
|                          | 315S  |     |     |      | 2320 |      |      |     |     |     |           |           |     |      | 1893  |
|                          | 315M  |     |     |      | 2370 |      |      |     |     |     |           |           |     |      | 2053  |
| HCZ250-500<br>HCZ300-400 | 250M  | 200 | 425 | 670  | 2030 | 2000 | 1400 | 700 | 300 | 870 | 820       | 6-M20×400 | 200 | 165  | 1345  |
|                          |       |     |     |      | 2070 |      |      |     |     |     |           |           |     |      | 1461  |
|                          |       |     |     |      | 2100 |      |      |     |     |     |           |           |     |      | 1473  |
|                          | 2140  |     |     |      | 1596 |      |      |     |     |     |           |           |     |      |       |
|                          | 2150  |     |     |      | 1578 |      |      |     |     |     |           |           |     |      |       |
|                          | 2190  |     |     |      | 1701 |      |      |     |     |     |           |           |     |      |       |
|                          | 280S  | 240 | 450 | 700  | 2320 | 2000 | 1400 | 700 | 300 | 870 | 820       | 6-M20×400 | 200 | 165  | 1902  |
|                          |       |     |     |      | 2360 |      |      |     |     |     |           |           |     |      | 2025  |
|                          |       |     |     |      | 2370 |      |      |     |     |     |           |           |     |      | 2062  |
|                          |       |     |     |      | 2110 |      |      |     |     |     |           |           |     |      | 2185  |
| 315S                     | 250   | 450 | 750 | 2330 | 2240 | 1600 | 800  | 320 | 970 | 920 | 6-M20×400 | 230       | 225 | 1829 |       |
|                          |       |     |     | 2380 |      |      |      |     |     |     |           |           |     | 1934 |       |
|                          |       |     |     | 2550 |      |      |      |     |     |     |           |           |     | 2256 |       |
|                          |       |     |     | 2600 |      |      |      |     |     |     |           |           |     | 2416 |       |